



DEPARTMENT OF REGULATORY AND ECONOMIC RESOURCES (RER)
BOARD AND CODE ADMINISTRATION DIVISION
NOTICE OF ACCEPTANCE (NOA)

MIAMI-DADE COUNTY
PRODUCT CONTROL SECTION
11805 SW 26 Street, Room 208
Miami, Florida 33175-2474
T (786) 315-2590 F (786) 315-2599
www.miamidade.gov/economy

S&P USA Ventilation Systems, LLC
6393 Powers Avenue
Jacksonville, FL 32217

SCOPE:

This NOA is being issued under the applicable rules and regulations governing the use of construction materials. The documentation submitted has been reviewed and accepted by Miami-Dade County RER-Product Control Section to be used in Miami-Dade County and other areas where allowed by the Authority Having Jurisdiction (AHJ).

This NOA shall not be valid after the expiration date stated below. The Miami-Dade County Product Control Section (In Miami-Dade County) and/ or the AHJ (in areas other than Miami-Dade County) reserve the right to have this product or material tested for quality assurance purposes. If this product or material fails to perform in the accepted manner, the manufacturer will incur the expense of such testing and the AHJ may immediately revoke, modify, or suspend the use of such product or material within their jurisdiction. RER reserves the right to revoke this acceptance if it is determined by Miami-Dade County Product Control Section that this product or material fails to meet the requirements of the applicable building code.

This product is approved as described herein and has been designed to comply with the Florida Building Code, including the High Velocity Hurricane Zone.

DESCRIPTION: S-Series Aluminum Rooftop Exhaust Fans

APPROVAL DOCUMENT: Drawing No. **SSERIESMD**, titled “STXB / STXBRHUL / STXD / STXDRHUL / SDB / SDBD / SDBDe MIAMI DADE”, sheets 1 through 10 of 10, dated 03/26/2020, prepared by Rice Engineering, signed and sealed by Wayne K. Helmila, P.E. on 09/23/2020, bearing the Miami-Dade County Product Control approval stamp with the Notice of Acceptance number and approval date by the Miami-Dade County Product Control Section.

MISSILE IMPACT RATING: Large and Small Missile Impact Resistant

LABELING: A permanent label with the manufacturer's name or logo, city, state, model/ series, and following statement: "Miami-Dade County Product Control Approved", is to be located on each unit.

RENEWAL of this NOA shall be considered after a renewal application has been filed and there has been no change in the applicable building code negatively affecting the performance of this product.

TERMINATION of this NOA will occur after the expiration date or if there has been a revision or change in the materials, use, and/or manufacture of the product or process. Misuse of this NOA as an endorsement of any product, for sales, advertising or any other purposes shall automatically terminate this NOA. Failure to comply with any section of this NOA shall be cause for termination and removal of NOA.

ADVERTISEMENT: The NOA number preceded by the words Miami-Dade County, Florida, and followed by the expiration date may be displayed in advertising literature. If any portion of the NOA is displayed, then it shall be done in its entirety.

INSPECTION: A copy of this entire NOA shall be provided to the user by the manufacturer or its distributors and shall be available for inspection at the job site at the request of the Building Official.

This NOA consists of this page 1 and evidence page E-1, as well as approval document mentioned above. The submitted documentation was reviewed by **Carlos M. Utrera, P.E.**



NOA No. 20-1006.04
Expiration Date: December 30, 2025
Approval Date: December 30, 2020
Page 1

NOTICE OF ACCEPTANCE: EVIDENCE SUBMITTED

A. DRAWINGS

1. Drawing No. **SSERIESMD**, titled “STXB / STXBRHUL / STXD / STXDRHUL / SDB / SDBD / SDBDe MIAMI DADE”, sheets 1 through 10 of 10, dated 03/26/2020, prepared by Rice Engineering, signed and sealed by Wayne K. Helmila, P.E. on 09/23/2020.

B. TESTS

1. Test reports on Large Missile Impact Test per FBC, TAS 201-94 along with marked-up drawings and installation diagram of Series: STXB08, STXB48, SDB06 and SDB48 Fans, prepared by Fenestration Testing Laboratory (FTL) a QAI Company, Test Report No. **12235**, dated 09/03/2020, signed and sealed by Idalmis Ortega, P.E.
2. Test reports on Uniform Static Air Pressure Test, loading per FBC TAS 202-94 along with marked-up drawings and installation diagram of Series: STXB16, STXB36, STXB48, SDB22, SDB33 and SDB48 Fans, prepared by Fenestration Testing Laboratory (FTL) a QAI Company, Test Report No. **12237**, dated 09/03/2020, signed and sealed by Idalmis Ortega, P.E.

C. CALCULATIONS

1. Anchor verification calculations, prepared by Rice Engineering, dated 09/25/2020, signed and sealed by Wayne K. Helmila, P.E.

D. QUALITY ASSURANCE

1. Miami-Dade Department of Regulatory and Economic Resources (RER)

E. MATERIAL CERTIFICATIONS

1. Flame Spread and Smoke Density ratings per ASTM E84 of Johns Manville’s Micromat fiber glass insulation.

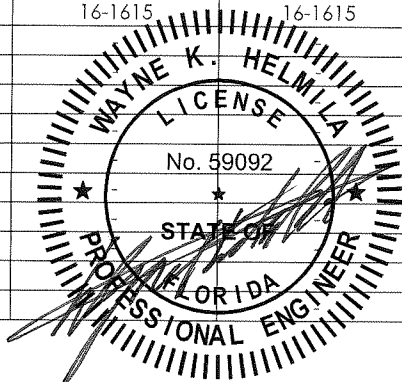
F. STATEMENTS

1. Statement letter of code conformance to the 6th edition (2017) and 7th edition (2020) of the FBC, issued Rice Engineering, dated 12/17/2020, signed and sealed by Wayne K. Helmila, P.E.
2. Statement letter of no financial interest, issued by Rice Engineering, dated 09/15/2020, signed and sealed by Wayne K. Helmila, P.E.



Carlos M. Utrera, P.E.
Product Control Examiner
NOA No. 20-1006.04
Expiration Date: December 30, 2025
Approval Date: December 30, 2020

STXB/STXBRHUL MODEL SIZE	STXD/STXDe MODEL SIZE	STXDRHUL/STXDeRHUL MODEL SIZE	A	B	C	D	E	F	G	H	WEIGHT (LBS)
08	06-07-08-0825	-	18	29-5/16	28-5/8	24-5/16	2	22	32-5/16	10	123
10	10	10	18	29-5/16	28-5/8	24-5/16	2	22	32-5/16	10	123
12	12	12	20	30-7/8	31-5/16	25-15/16	2	24	33-7/8	12	137
14	14-1410-1475	14-1410-1475	20	30-7/8	31-5/16	25-15/16	2	24	33-7/8	12	144
15/15HP	15-1515-1575	15-1515-1575	24	31-1/2	36-1/2	26-5/8	2	28	34-1/2	14	159
16/16HP	16-1615	16-1615	24	31-1/2	36-1/2	26-5/8	2	28	34-1/2	14	166
18/18HP			30	35-3/4	42-5/8	30-1/2	2	34	38-3/4	16	230
20/20HP			30	38-5/8	46-7/16	30-1/2	2	34	41-5/8	16	233
22/22HP			30	38-5/8	46-7/16	33-5/16	2	34	41-5/8	16	233
24/24HP			36	49-1/8	50-1/2	37-1/2	2	40	52-1/8	20	385
27/27HP			36	51-5/8	61-5/16	41-1/2	2	40	54-5/8	20	413
30/30HP			42	52-5/16	65-7/16	42-1/4	2	46	55-5/16	22	503
33/33HP			42	52-5/16	65-7/16	42-1/4	2	46	55-5/16	22	505
36/36HP			42-5/16	50-11/16	64-1/4	44-1/4	2-1/2	46-5/16	53-11/16	24	592
42			54-1/4	56-15/16	76-1/8	48-3/16	2-1/2	58-1/4	59-15/16	28	779
48			54-1/4	60-3/16	80-7/8	52-3/8	2-1/2	58-1/4	63-3/16	30	869



STXB/STXBRHUL MODEL SIZE	J	K	L	M
08	8	8	4	4
10	8	8	4	4
12	8	8	4	4
14	8	8	4	4
15/15HP	8	8	4	4
16/16HP	8	8	4	4
18/18HP	12	8	6	6
20/20HP	12	8	6	6
22/22HP	12	8	6	6
24/24HP	10	8	6	6
27/27HP	10	8	6	6
30/30HP	10	8	6	6
33/33HP	10	8	6	6
36/36HP (<10HP)	10	8	5	5
36/36HP (10HP)	10	8	7	7
42	10	8	5	5
48 (<10HP)	10	8	5	5
48 (10HP)	10	8	7	7

CAD FILE SSERIESMD				SP. 1
REVISIONS				
REV	DESCRIPTION	BY	DATE	ECN
A	RELEASE	JX	9/8/2020	2020-100
--	-----	---	--/--/--	-----
--	-----	---	--/--/--	-----

DESIGN PRESSURE LOAD RATING			
STXB/STXBRHUL MODEL SIZE	STXD/STXDe MODEL SIZE	STXDRHUL/STXDeRHUL MODEL SIZE	PRESSURE LOAD (PSF)
08	06-07-08-0825	-	± 150
10-16	10-16	10-16	± 150
18-48	-	-	± 80

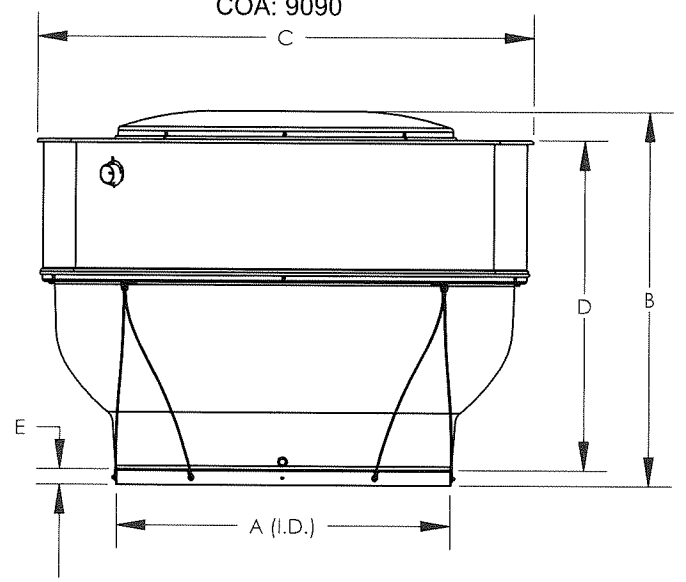
SEP 23 2020

&[Date]
COA: 9090

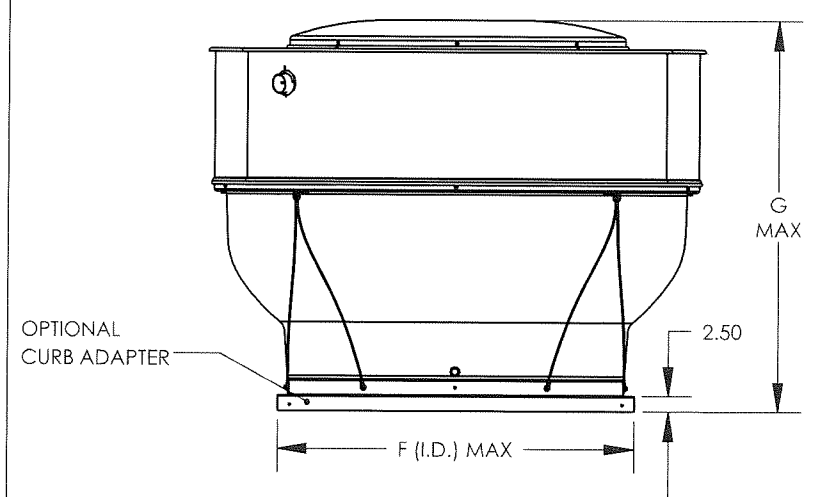
RICE ENGINEERING

105 School Creek Trail
Luxemburg, WI 54217
Phone: (920) 617-1042
Fax: (920) 617-1100
www.rice-inc.com

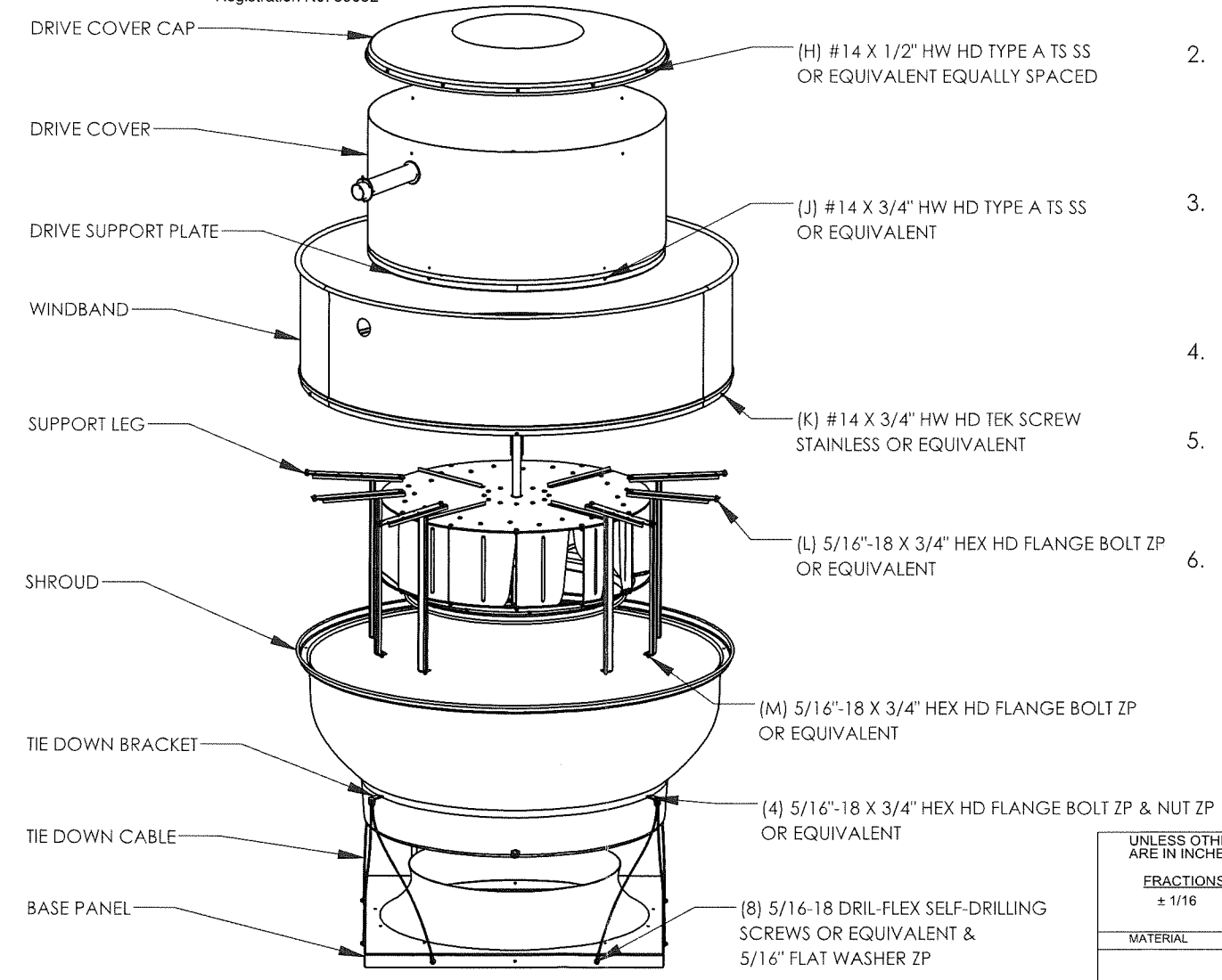
Florida Firm No: F-01000005061
Certificate of Authorization: #9090
Wayne K. Helmla
Registration No: 59092



STANDARD FAN



FAN W/ OPTIONAL CURB ADAPTER



NOTES:

- MODEL STXB/STXBRHUL/STXD(e)/STXD(e)RHUL HAVE BEEN SUCCESSFULLY TESTED IN ACCORDANCE WITH FLORIDA BUILDING CODE/MIAMI DADE TEST PROTOCOL TAS 201 (LARGE IMPACT) AND TAS 202 (STATIC PRESSURE LOADING).
- THIS APPROVAL IS FOR THE STRUCTURAL PERFORMANCE AND IMPACT RESISTANCE ONLY. INTERIOR MECHANISM AND/OR ELECTRICAL CIRCUITRY ARE OUTSIDE THE SCOPE OF THIS APPROVAL.
- THIS FAN/VENT HAS NOT BEEN TESTED FOR WATER PENETRATION ACCORDING TO FLORIDA BUILDING CODE, TAS 100(A) WIND DRIVEN RAIN TEST. IT CANNOT BE INSTALLED WITHIN THE RIDGE AREA FBC 1523.6.5.2.13.
- DESIGN, TESTING, AND INSTALLATION CONFORMS TO FLORIDA BUILDING CODE.
- ROOF STRUCTURE MUST BE DESIGNED TO WITHSTAND THE WEIGHT AND LOADING TRANSMITTED BY THE FANS. FASTENERS SHALL BE AS SPECIFIED AND INSTALLED AS DETAILED.
- FAN CURBS MUST BE ANCHORED TO ROOF FRAMING MEMBERS.

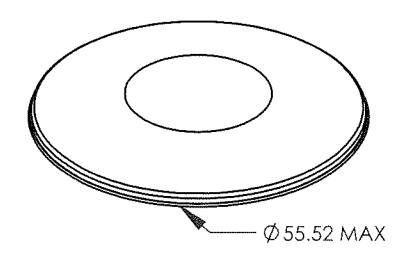
PRODUCT APPROVED
as complying with the Florida Building Code
NOA-No. 20-1006.04
Approval Date 12/30/2020
By *[Signature]*
Miami-Dade Product Control

UNLESS OTHERWISE SPECIFIED DIMENSIONS ARE IN INCHES TOLERANCES ARE		THIRD ANGLE PROJECTION	
FRACTIONS ± 1/16	DECIMALS XX ± .03 XXX ± .005	ANGLES ± 1°	
MATERIAL	ESTIMATED WEIGHT(LB)	PROJECT NO.	APPROVALS
			DATE
			3/26/2020
EST. SHIPPING DIMS (INCH)		DRAWN BY JX	CHECKED BY
S&P USA		JACKSONVILLE, FLORIDA	
STXB/STXBRHUL/STXD/STXDRHUL		MIAMI DADE	
SCALE: 1:30 DO NOT SCALE DRAWING		SHEET 1 OF 10	

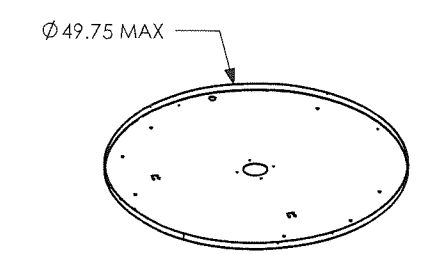
STXB/STXBRHUL MODEL SIZE	STXD/STXDe MODEL SIZE	STXDRHUL/STXDeRHUL MODEL SIZE	BASE PANEL		SHROUD		WINDBAND	
			THICKNESS	MATERIAL	THICKNESS	MATERIAL	THICKNESS	MATERIAL
08	06-07-08-0825	-	0.063	3003-H14 ALUM	0.063	3003-O TEMP ALUM	0.040	3003-H14 ALUM
10	10	10	0.063	3003-H14 ALUM	0.063	3003-O TEMP ALUM	0.040	3003-H14 ALUM
12	12	12	0.063	3003-H14 ALUM	0.063	3003-O TEMP ALUM	0.040	3003-H14 ALUM
14	14-1410-1475	14-1410-1475	0.063	3003-H14 ALUM	0.063	3003-O TEMP ALUM	0.040	3003-H14 ALUM
15/15HP	15-1515-1575	15-1515-1575	0.063	3003-H14 ALUM	0.063	3003-O TEMP ALUM	0.040	3003-H14 ALUM
16/16HP	16-1615	16-1615	0.063	3003-H14 ALUM	0.063	3003-O TEMP ALUM	0.040	3003-H14 ALUM
18/18HP	-	-	0.080	3003-H14 ALUM	0.063	3003-H14 ALUM	0.040	3003-H14 ALUM
20/20HP	-	-	0.080	3003-H14 ALUM	0.063	3003-H14 ALUM	0.040	3003-H14 ALUM
22/22HP	-	-	0.080	3003-H14 ALUM	0.063	3003-H14 ALUM	0.040	3003-H14 ALUM
24/24HP	-	-	0.090	3003-H14 ALUM	0.063	3003-H14 ALUM	0.040	3003-H14 ALUM
27/27HP	-	-	0.090	3003-H14 ALUM	0.063	3003-H14 ALUM	0.040	3003-H14 ALUM
30/30HP	-	-	0.090	3003-H14 ALUM	0.063	3003-H14 ALUM	0.050	3003-H14 ALUM
33/33HP	-	-	0.090	3003-H14 ALUM	0.063	3003-H14 ALUM	0.050	3003-H14 ALUM
36/36HP	-	-	0.090	3003-H14 ALUM	0.063	3003-H14 ALUM	0.050	3003-H14 ALUM
42	-	-	0.100	3003-H14 ALUM	0.080	3003-H14 ALUM	0.050	3003-H14 ALUM
48	-	-	0.100	3003-H14 ALUM	0.080	3003-H14 ALUM	0.050	3003-H14 ALUM

STXB/STXBRHUL MODEL SIZE	STXD/STXDe MODEL SIZE	STXDRHUL/STXDeRHUL MODEL SIZE	DRIVE SUPPORT PLATE		DRIVE COVER		DRIVE COVER CAP	
			THICKNESS	MATERIAL	THICKNESS	MATERIAL	THICKNESS	MATERIAL
08	06-07-08-0825	-	14 GA	G-90 GALV	0.040	3003-H14 ALUM	0.040	3003-H14 ALUM
10	10	10	14 GA	G-90 GALV	0.040	3003-H14 ALUM	0.040	3003-H14 ALUM
12	12	12	14 GA	G-90 GALV	0.040	3003-H14 ALUM	0.040	3003-H14 ALUM
14	14-1410-1475	14-1410-1475	14 GA	G-90 GALV	0.040	3003-H14 ALUM	0.040	3003-H14 ALUM
15/15HP	15-1515-1575	15-1515-1575	14 GA	G-90 GALV	0.040	3003-H14 ALUM	0.040	3003-H14 ALUM
16/16HP	16-1615	16-1615	14 GA	G-90 GALV	0.040	3003-H14 ALUM	0.040	3003-H14 ALUM
18/18HP	-	-	14 GA	G-90 GALV	0.040	3003-H14 ALUM	0.040	3003-H14 ALUM
20/20HP	-	-	14 GA	G-90 GALV	0.040	3003-H14 ALUM	0.040	3003-H14 ALUM
22/22HP	-	-	14 GA	G-90 GALV	0.040	3003-H14 ALUM	0.040	3003-H14 ALUM
24/24HP	-	-	14 GA	G-90 GALV	0.040	3003-H14 ALUM	0.050	3003-H14 ALUM
27/27HP	-	-	14 GA	G-90 GALV	0.040	3003-H14 ALUM	0.050	3003-H14 ALUM
30/30HP	-	-	14 GA	G-90 GALV	0.040	3003-H14 ALUM	0.050	3003-H14 ALUM
33/33HP	-	-	14 GA	G-90 GALV	0.040	3003-H14 ALUM	0.050	3003-H14 ALUM
36/36HP	-	-	14 GA	G-90 GALV	0.050	3003-H14 ALUM	0.050	3003-H14 ALUM
42	-	-	12 GA	G-90 GALV	0.050	3003-H14 ALUM	0.060	3003-H14 ALUM
48	-	-	12 GA	G-90 GALV	0.050	3003-H14 ALUM	0.060	3003-H14 ALUM

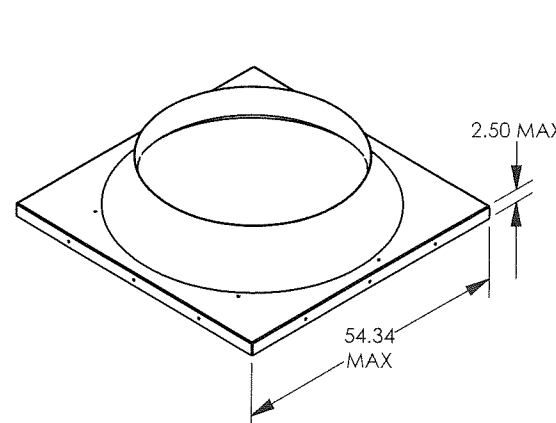
CAD FILE				SSERIESMD		SHEET 2	
REVISIONS							
REV	DESCRIPTION	BY	DATE	ECN			
A	RELEASE	JX	9/8/2020	2020-100			
-	-	-	-	-			
-	-	-	-	-			



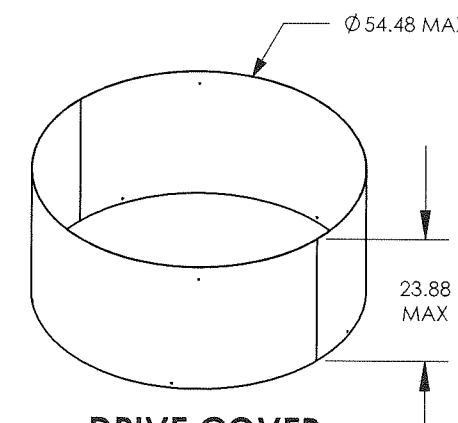
DRIVE COVER CAP



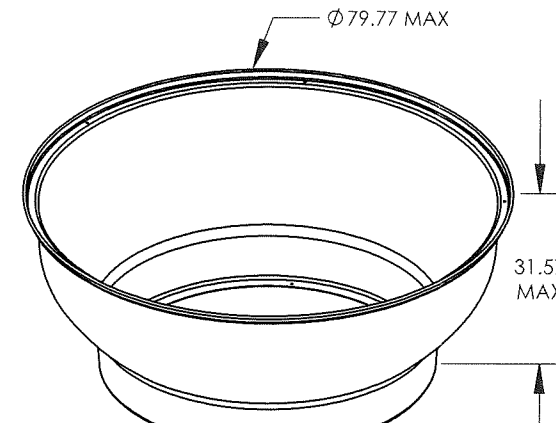
DRIVE SUPPORT PLATE



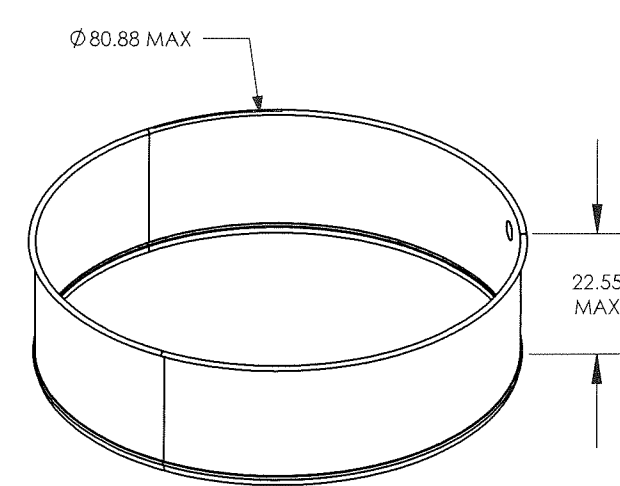
BASE PANEL



DRIVE COVER



SHROUD

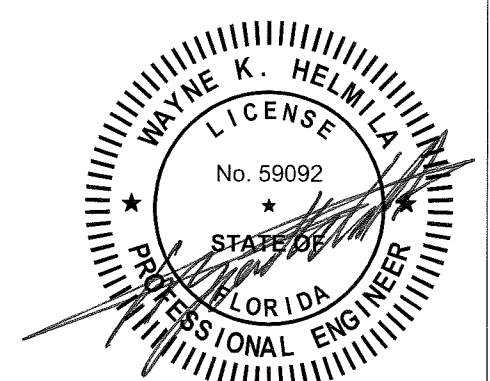


WINDBAND

PRODUCT APPROVED
as complying with the Florida
Building Code
NOA-No. 20-1006.04
Approval Date 12/30/2020
By *[Signature]*
Miami-Dade Product Control

RICE
ENGINEERING

105 School Creek Trail
Luxemburg, WI 54217
Phone: (920) 617-1042
Fax: (920) 617-1100
www.rice-inc.com
Florida Firm No: F-01000005061
Certificate of Authorization: #9090
Wayne K. Helmila
Registration No: 59092



SEP 23 2020

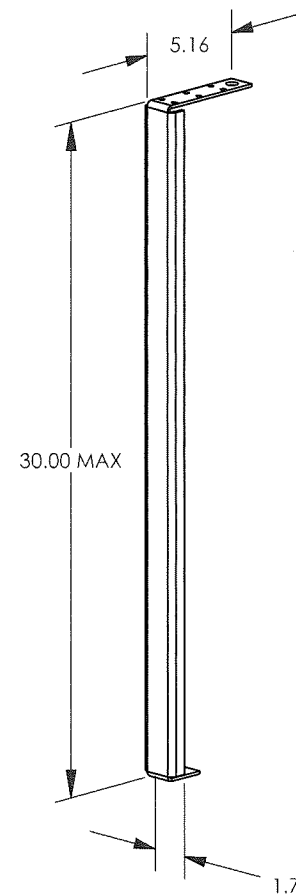
&[Date]
COA: 9090

UNLESS OTHERWISE SPECIFIED DIMENSIONS ARE IN INCHES TOLERANCES ARE			THIRD ANGLE PROJECTION	
FRACTIONS	DECIMALS	ANGLES		
± 1/16	XX ± .03 XXX ± .005	± 1°		
MATERIAL	ESTIMATED WEIGHT(LB)	PROJECT NO.		
		APPROVALS		
		DATE		
		3/26/2020		
EST. SHIPPING DIMS (INCH)	CHECKED BY			
S&P USA			S&P	
JACKSONVILLE, FLORIDA				
STXB/STXBRHUL/STXD/STXDRHUL MIAMI DADE				
SIZE	PART NO.	REV.		
	B SSERIESMD	A		
SCALE: 1:30 DO NOT SCALE DRAWING			SHEET 2 OF 10	

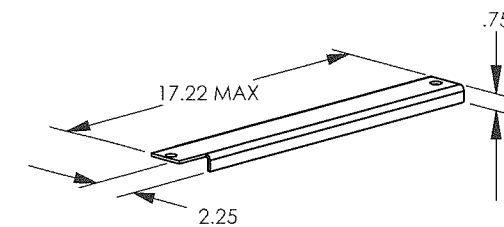
STXB/STXBRHUL MODEL SIZE	STXD/STXDe MODEL SIZE	STXDRHUL/ STXDeRHUL MODEL SIZE	TIE DOWN BRACKET			TIE DOWN CABLE	
			QTY	THICKNESS	MATERIAL	QTY	MATERIAL
08	06-07-08-0825	-	4	0.040	3003-H14 ALUM	4	3/16 GALV CABLE
10	10	10	4	0.040	3003-H14 ALUM	4	3/16 GALV CABLE
12	12	12	4	0.040	3003-H14 ALUM	4	3/16 GALV CABLE
14	14-1410-1475	14-1410-1475	4	0.040	3003-H14 ALUM	4	3/16 GALV CABLE
15/15HP	15-1515-1575	15-1515-1575	4	0.040	3003-H14 ALUM	4	3/16 GALV CABLE
16/16HP	16-1615	16-1615	4	0.040	3003-H14 ALUM	4	3/16 GALV CABLE
18/18HP	-	-	4	0.040	3003-H14 ALUM	4	3/16 GALV CABLE
20/20HP	-	-	4	0.040	3003-H14 ALUM	4	3/16 GALV CABLE
22/22HP	-	-	4	0.040	3003-H14 ALUM	4	3/16 GALV CABLE
24/24HP	-	-	4	0.040	3003-H14 ALUM	4	3/16 GALV CABLE
27/27HP	-	-	4	0.040	3003-H14 ALUM	4	3/16 GALV CABLE
30/30HP	-	-	4	0.040	3003-H14 ALUM	4	3/16 GALV CABLE
33/33HP	-	-	4	0.040	3003-H14 ALUM	4	3/16 GALV CABLE
36/36HP	-	-	4	0.040	3003-H14 ALUM	4	3/16 GALV CABLE
42	-	-	4	0.040	3003-H14 ALUM	4	3/16 GALV CABLE
48	-	-	4	0.040	3003-H14 ALUM	4	3/16 GALV CABLE

STXB/STXBRHUL MODEL SIZE	STXD/STXDe MODEL SIZE	STXDRHUL/ STXDeRHUL MODEL SIZE	HORIZONTAL LEG SUPPORT			VERTICAL LEG SUPPORT		
			QTY	THICKNESS	MATERIAL	QTY	THICKNESS	MATERIAL
08	06-07-08-0825	-	4	14 GA	G-90 GALV	4	14 GA	G-90 GALV
10	10	10	4	14 GA	G-90 GALV	4	14 GA	G-90 GALV
12	12	12	4	14 GA	G-90 GALV	4	14 GA	G-90 GALV
14	14-1410-1475	14-1410-1475	4	14 GA	G-90 GALV	4	14 GA	G-90 GALV
15/15HP	15-1515-1575	15-1515-1575	4	14 GA	G-90 GALV	4	14 GA	G-90 GALV
16/16HP	16-1615	16-1615	4	14 GA	G-90 GALV	4	14 GA	G-90 GALV
18/18HP	-	-	6	14 GA	G-90 GALV	6	14 GA	G-90 GALV
20/20HP	-	-	6	14 GA	G-90 GALV	6	14 GA	G-90 GALV
22/22HP	-	-	6	14 GA	G-90 GALV	6	14 GA	G-90 GALV
24/24HP	-	-	6	14 GA	G-90 GALV	6	14 GA	G-90 GALV
27/27HP	-	-	6	14 GA	G-90 GALV	6	14 GA	G-90 GALV
30/30HP	-	-	6	12 GA	G-90 GALV	6	12 GA	G-90 GALV
33/33HP	-	-	6	12 GA	G-90 GALV	6	12 GA	G-90 GALV
36/36HP (<10HP)	-	-	5	12 GA	G-90 GALV	5	12 GA	G-90 GALV
36/36HP (10HP)	-	-	7	12 GA	G-90 GALV	7	12 GA	G-90 GALV
42	-	-	5	12 GA	G-90 GALV	5	12 GA	G-90 GALV
48 (<10HP)	-	-	5	12 GA	G-90 GALV	5	12 GA	G-90 GALV
48 (10HP)	-	-	7	12 GA	G-90 GALV	7	12 GA	G-90 GALV

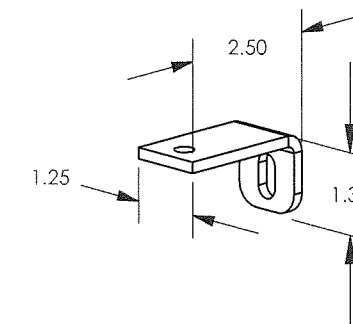
CAD FILE		SSERIESMD			SH	3
REVISIONS						
REV	DESCRIPTION	BY	DATE	ECN		
A	RELEASE	JX	9/8/2020	2020-100		
-						
-						



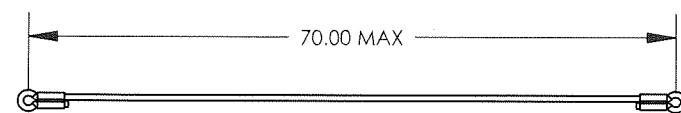
VERTICAL LEG SUPPORT



HORIZONTAL LEG SUPPORT



TIE DOWN BRACKET



TIE DOWN CABLE

PRODUCT APPROVED
as complying with the Florida
Building Code
NOA-No. 20-1006.04

Approval Date 12/30/2020

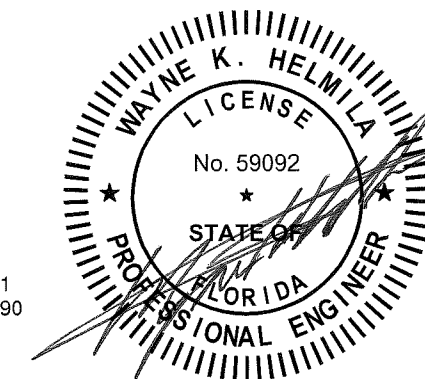
By *[Signature]*
Miami-Dade Product Control

RICE

ENGINEERING

105 School Creek Trail
Luxemburg, WI 54217
Phone: (920) 617-1042
Fax: (920) 617-1100
www.rice-inc.com

Florida Firm No: F-01000005061
Certificate of Authorization: #9090
Wayne K. Helmila
Registration No: 59092



SEP 23 2020

&[Date]
COA: 9090

UNLESS OTHERWISE SPECIFIED DIMENSIONS ARE IN INCHES TOLERANCES ARE		THIRD ANGLE PROJECTION		S&P USA JACKSONVILLE, FLORIDA STXB/STXBRHUL/STXD/STXDRHUL MIAMI DADE
FRACTIONS ± 1/16	DECIMALS XX ± .03 XXX ± .005	ANGLES ± 1°		
MATERIAL	ESTIMATED WEIGHT(LB)	PROJECT NO.	DATE 3/26/2020	SIZE PART NO. B SSERIESMD SCALE: 1:10 DO NOT SCALE DRAWING
		CHECKED BY		REV. A SHEET 3 OF 10

SDB MODEL SIZE	A	B	C	D	E	F	G	H	J	K	L	WEIGHT (LBS)
6	18	30-1/8	25	3-3/8	2	22	33-1/8	10	8	-	4	111
7	18	30-1/8	25	3-3/8	2	22	33-1/8	10	8	-	4	111
8	18	30-1/8	25	3-3/8	2	22	33-1/8	10	8	-	4	114
10	18	30-1/8	25	3-3/8	2	22	33-1/8	10	8	-	4	115
12	20	31-11/16	27-5/8	3-7/8	2	24	34-11/16	12	8	-	4	128
14	20	31-11/16	27-5/8	3-7/8	2	24	34-11/16	12	8	-	4	135
15	24	32-1/2	32-7/8	4	2	28	35-1/2	14	8	-	4	151
16	24	32-1/2	32-7/8	4	2	28	35-1/2	14	8	-	4	151
18	30	36-3/8	39-3/16	4-5/8	2	34	39-3/8	16	10	4	6	217
20	30	38-5/16	45	6-1/8	2	34	41-5/16	16	10	6	6	233
22	30	38-5/16	45	6-1/8	2	34	41-5/16	16	10	6	6	233
24	36	46-5/8	49-3/8	6	2	40	49-5/8	20	10	6	6	349
27	36	49-1/16	49-3/8	8-1/2	2	40	52-1/16	20	10	6	6	357
30	42	50-1/4	56	7-3/8	2	46	53-1/4	22	10	6	6	465
33	42	50-1/4	56	7-3/8	2	46	53-1/4	22	10	6	6	467
36	42-5/16	48-7/8	64-1/4	7	2-1/2	46-5/16	51-7/8	24	10	5	5	541
42	54-1/4	54-7/8	71-3/16	11-1/2	2-1/2	58-1/4	57-7/8	28	10	5	5	744
48	54-1/4	58-1/8	78-3/16	12-7/8	2-1/2	58-1/4	61-1/8	30	10	5	5	789

RICE

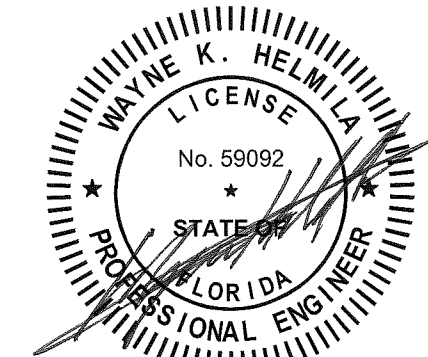
ENGINEERING

105 School Creek Trail
Luxemburg, WI 54217
Phone: (920) 617-1042
Fax: (920) 617-1100
www.rice-inc.com

Florida Firm No: F-01000005061
Certificate of Authorization: #9090
Wayne K. Helmila
Registration No: 59092

DESIGN PRESSURE LOAD RATING	
SDB SIZE	PRESSURE LOAD (PSF)
6 - 22	± 150
24 - 48	± 80

CAD FILE	SSERIESMD			SH	4
REVISIONS					
REV	DESCRIPTION	BY	DATE	ECN	
A	RELEASE	JX	9/8/2020	2020-100	
--	-----	---	--/--/--	-----	
--	-----	---	--/--/--	-----	



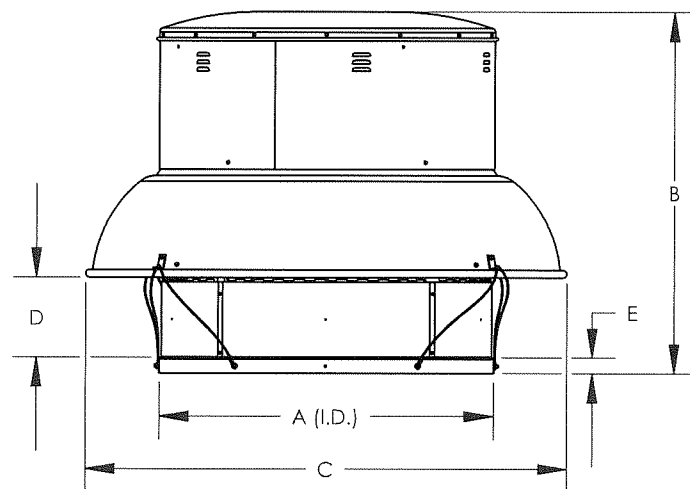
SEP 23 2020

&[Date]
COA: 9090

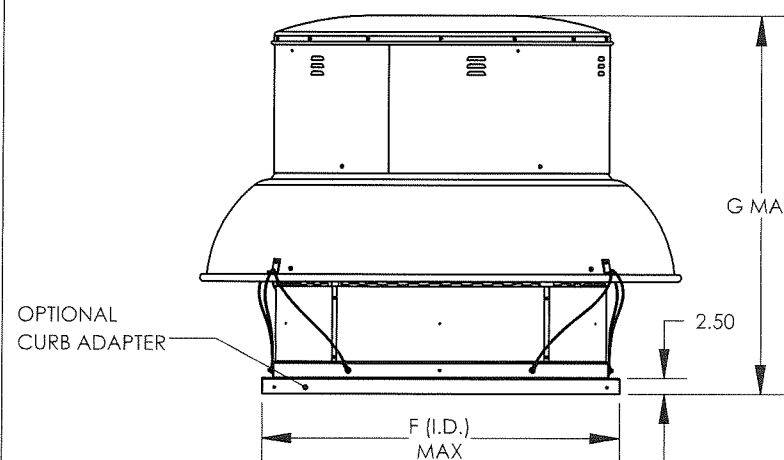
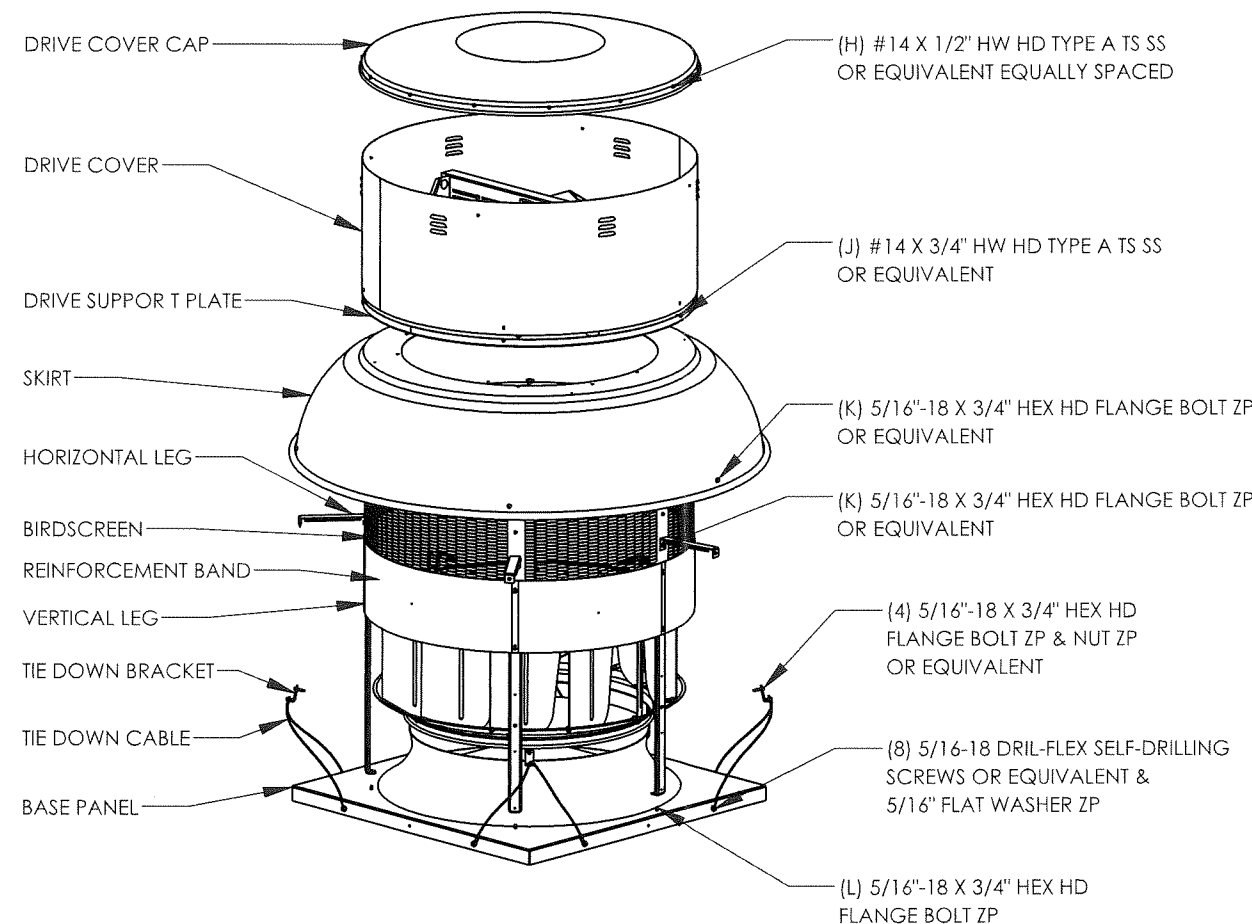
NOTES:

- MODEL SDB(D/e) HAVE BEEN SUCCESSFULLY TESTED IN ACCORDANCE WITH FLORIDA BUILDING CODE/MIAMI DADE TEST PROTOCOL TAS 201 (LARGE IMPACT) AND TAS 202 (STATIC PRESSURE LOADING).
- THIS APPROVAL IS FOR THE STRUCTURAL PERFORMANCE AND IMPACT RESISTANCE ONLY. INTERIOR MECHANISM AND/OR ELECTRICAL CIRCUITRY ARE OUTSIDE THE SCOPE OF THIS APPROVAL.
- THIS FAN/VENT HAS NOT BEEN TESTED FOR WATER PENETRATION ACCORDING TO FLORIDA BUILDING CODE, TAS 100(A) WIND DRIVEN RAIN TEST. IT CANNOT BE INSTALLED WITHIN THE RIDGE AREA FBC 1523.6.5.2.13.
- DESIGN, TESTING, AND INSTALLATION CONFORMS TO FLORIDA BUILDING CODE.
- ROOF STRUCTURE MUST BE DESIGNED TO WITHSTAND THE WEIGHT AND LOADING TRANSMITTED BY THE FANS. FASTENERS SHALL BE AS SPECIFIED AND INSTALLED AS DETAILED.
- FAN CURBS MUST BE ANCHORED TO ROOF FRAMING MEMBERS.

PRODUCT APPROVED
as complying with the Florida Building Code
NOA-No. 20-1006.04
Approval Date 12/30/2020
By *[Signature]*
Miami-Dade Product Control



STANDARD FAN



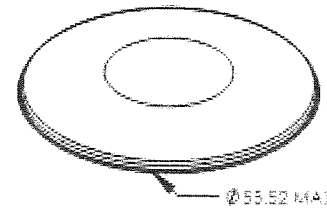
FAN W/ OPTIONAL CURB ADAPTER

UNLESS OTHERWISE SPECIFIED DIMENSIONS ARE IN INCHES TOLERANCES ARE		THIRD ANGLE PROJECTION	
FRACTIONS ± 1/16	DECIMALS XX ± .03 XXX ± .005	ANGLES ± 1°	
MATERIAL	ESTIMATED WEIGHT(LB)	PROJECT NO.	APPROVALS DATE
EST. SHIPPING DIMS (INCH)	CHECKED BY	JX	3/26/2020
S&P USA		JACKSONVILLE, FLORIDA	
SDB MIAMI DADE		SCALE: 1:30 DO NOT SCALE DRAWING	
BISSERIESMD		SIZE/PART NO.	REV
SHEET 4 OF 10			A

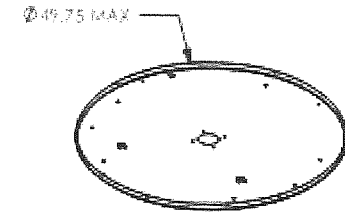
STXB/STXBRHUL MODEL SIZE	STXD/STXDe MODEL SIZE	STXDRHUL/ STXDRHUL MODEL SIZE	BASE PANEL		SHROUD		WINDBAND	
			THICKNESS	MATERIAL	THICKNESS	MATERIAL	THICKNESS	MATERIAL
08	06-07-08-0825	-	0.063	3003-H14 ALUM	0.063	3003-O TEMP ALUM	0.040	3003-H14 ALUM
10	10	10	0.063	3003-H14 ALUM	0.063	3003-O TEMP ALUM	0.040	3003-H14 ALUM
12	12	12	0.063	3003-H14 ALUM	0.063	3003-O TEMP ALUM	0.040	3003-H14 ALUM
14	14-1410-1475	14-1410-1475	0.063	3003-H14 ALUM	0.063	3003-O TEMP ALUM	0.040	3003-H14 ALUM
15/15HP	15-1515-1575	15-1515-1575	0.063	3003-H14 ALUM	0.063	3003-O TEMP ALUM	0.040	3003-H14 ALUM
16/16HP	16-1615	16-1615	0.063	3003-H14 ALUM	0.063	3003-O TEMP ALUM	0.040	3003-H14 ALUM
18/18HP	-	-	0.080	3003-H14 ALUM	0.063	3003-H14 ALUM	0.040	3003-H14 ALUM
20/20HP	-	-	0.080	3003-H14 ALUM	0.063	3003-H14 ALUM	0.040	3003-H14 ALUM
22/22HP	-	-	0.080	3003-H14 ALUM	0.063	3003-H14 ALUM	0.040	3003-H14 ALUM
24/24HP	-	-	0.090	3003-H14 ALUM	0.063	3003-H14 ALUM	0.040	3003-H14 ALUM
27/27HP	-	-	0.090	3003-H14 ALUM	0.063	3003-H14 ALUM	0.040	3003-H14 ALUM
30/30HP	-	-	0.090	3003-H14 ALUM	0.063	3003-H14 ALUM	0.050	3003-H14 ALUM
33/33HP	-	-	0.090	3003-H14 ALUM	0.063	3003-H14 ALUM	0.050	3003-H14 ALUM
36/36HP	-	-	0.090	3003-H14 ALUM	0.063	3003-H14 ALUM	0.050	3003-H14 ALUM
42	-	-	0.100	3003-H14 ALUM	0.080	3003-H14 ALUM	0.050	3003-H14 ALUM
48	-	-	0.100	3003-H14 ALUM	0.080	3003-H14 ALUM	0.050	3003-H14 ALUM

STXB/STXBRHUL MODEL SIZE	STXD/STXDe MODEL SIZE	STXDRHUL/ STXDRHUL MODEL SIZE	DRIVE SUPPORT PLATE		DRIVE COVER		DRIVE COVER CAP	
			THICKNESS	MATERIAL	THICKNESS	MATERIAL	THICKNESS	MATERIAL
08	06-07-08-0825	-	14 GA	G-90 GALV	0.040	3003-H14 ALUM	0.040	3003-H14 ALUM
10	10	10	14 GA	G-90 GALV	0.040	3003-H14 ALUM	0.040	3003-H14 ALUM
12	12	12	14 GA	G-90 GALV	0.040	3003-H14 ALUM	0.040	3003-H14 ALUM
14	14-1410-1475	14-1410-1475	14 GA	G-90 GALV	0.040	3003-H14 ALUM	0.040	3003-H14 ALUM
15/15HP	15-1515-1575	15-1515-1575	14 GA	G-90 GALV	0.040	3003-H14 ALUM	0.040	3003-H14 ALUM
16/16HP	16-1615	16-1615	14 GA	G-90 GALV	0.040	3003-H14 ALUM	0.040	3003-H14 ALUM
18/18HP	-	-	14 GA	G-90 GALV	0.040	3003-H14 ALUM	0.040	3003-H14 ALUM
20/20HP	-	-	14 GA	G-90 GALV	0.040	3003-H14 ALUM	0.040	3003-H14 ALUM
22/22HP	-	-	14 GA	G-90 GALV	0.040	3003-H14 ALUM	0.040	3003-H14 ALUM
24/24HP	-	-	14 GA	G-90 GALV	0.040	3003-H14 ALUM	0.050	3003-H14 ALUM
27/27HP	-	-	14 GA	G-90 GALV	0.040	3003-H14 ALUM	0.050	3003-H14 ALUM
30/30HP	-	-	14 GA	G-90 GALV	0.040	3003-H14 ALUM	0.050	3003-H14 ALUM
33/33HP	-	-	14 GA	G-90 GALV	0.040	3003-H14 ALUM	0.050	3003-H14 ALUM
36/36HP	-	-	14 GA	G-90 GALV	0.050	3003-H14 ALUM	0.050	3003-H14 ALUM
42	-	-	12 GA	G-90 GALV	0.050	3003-H14 ALUM	0.060	3003-H14 ALUM
48	-	-	12 GA	G-90 GALV	0.050	3003-H14 ALUM	0.060	3003-H14 ALUM

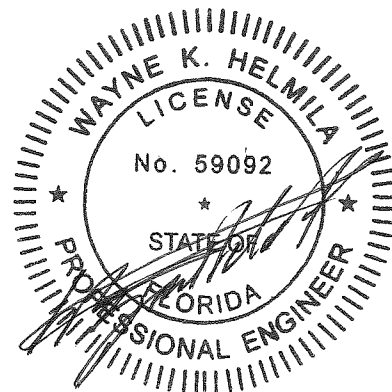
REVISIONS				
REV	DESCRIPTION	BY	DATE	RCN
A	RELEASE	JK	12/30/2020	2020-102
-	-	-	-	-
-	-	-	-	-



DRIVE COVER CAP



DRIVE SUPPORT PLATE

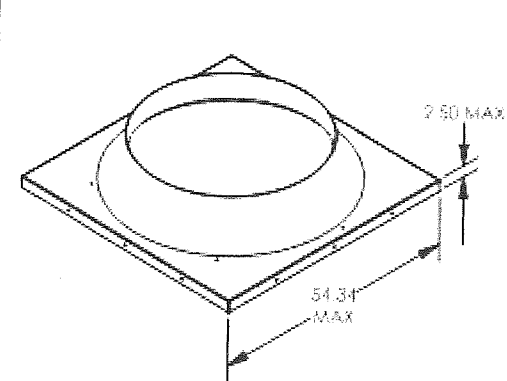


RICE
ENGINEERING

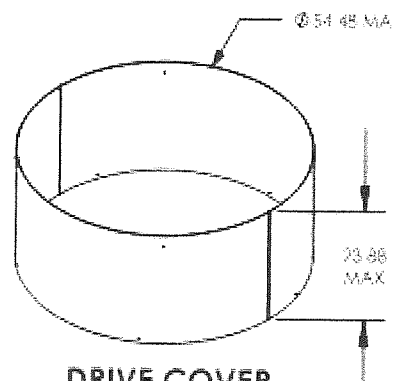
105 School Creek Trail
Luxemburg, WI 54217
Phone 920-617 1042
Fax 920-617-1100
www.rice-inc.com

Florida Firm No. F-01000005081
Certificate of Authorization #9090
Wayne K. Helmila
Registration No. 59092

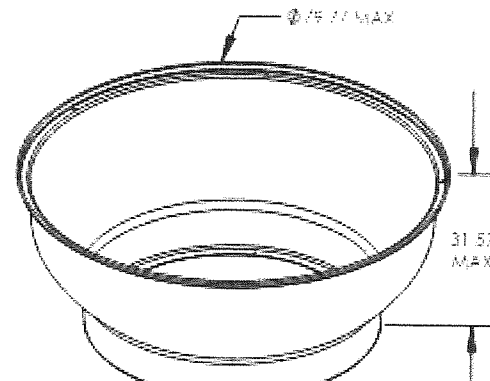
SEP 23 2020



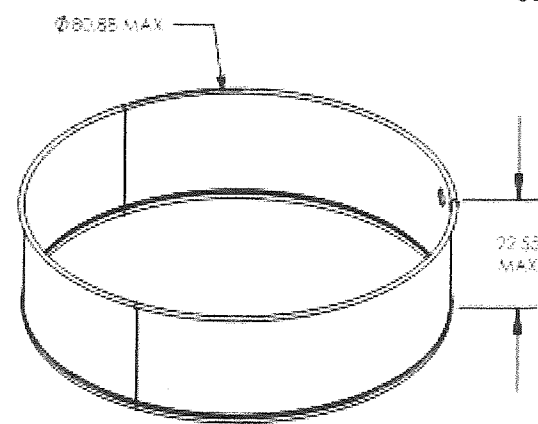
BASE PANEL



DRIVE COVER



SHROUD



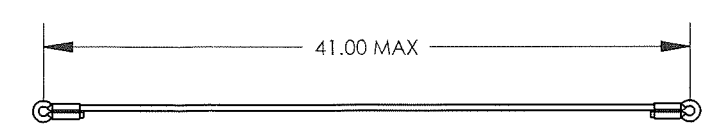
WINDBAND

PRODUCT APPROVED
as complying with the Florida
Building Code
NOA-No. 20-1006.04
Approval Date 12/30/2020
By *[Signature]*
Miami-Dade Product Control

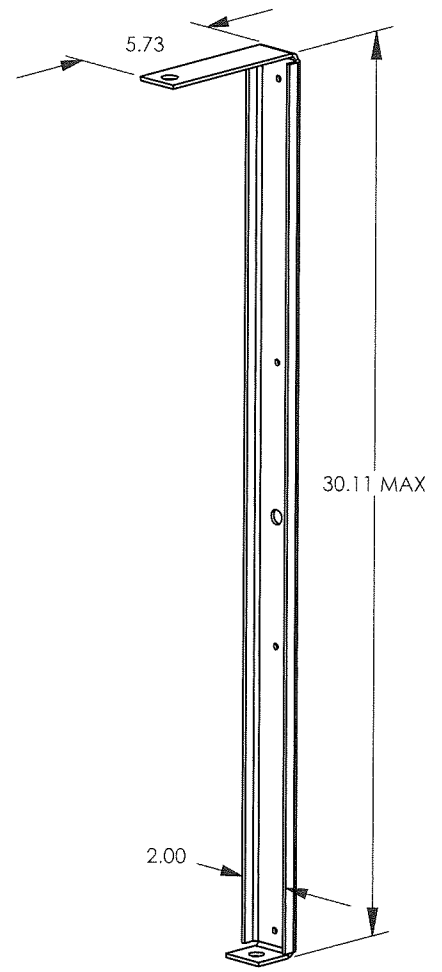
UNLESS OTHERWISE SPECIFIED DIMENSIONS ARE IN INCHES TOLERANCES ARE:				THIRD ANGLE PROJECTION	
FRACTIONS	DECIMALS	ANGLES			
+ 1/16	.XX ± .01	± 1'	S&P USA		
			JACKSONVILLE, FLORIDA		
			STXB/STXBRHUL/STXD/STXDRHUL		
			MIAMI DADE		
			B/SSERIESMD		
			A		

SDB MODEL SIZE	VERTICAL LEG			HORIZONTAL LEG			TIE DOWN BRACKET			TIE DOWN CABLE		REINFORCEMENT BAND ASSEMBLY		
	QTY	THICKNESS	MATERIAL	QTY	THICKNESS	MATERIAL	QTY	THICKNESS	MATERIAL	QTY	MATERIAL	QTY	THICKNESS	MATERIAL
6	4	14 GA	G-90 GALV	-	-	-	4	0.040	3003-H14 ALUM	4	3/16 GALV CABLE	1	12 GA	G-90 GALV
7	4	14 GA	G-90 GALV	-	-	-	4	0.040	3003-H14 ALUM	4	3/16 GALV CABLE	1	12 GA	G-90 GALV
8	4	14 GA	G-90 GALV	-	-	-	4	0.040	3003-H14 ALUM	4	3/16 GALV CABLE	1	12 GA	G-90 GALV
10	4	14 GA	G-90 GALV	-	-	-	4	0.040	3003-H14 ALUM	4	3/16 GALV CABLE	1	12 GA	G-90 GALV
12	4	14 GA	G-90 GALV	-	-	-	4	0.040	3003-H14 ALUM	4	3/16 GALV CABLE	1	12 GA	G-90 GALV
14	4	14 GA	G-90 GALV	-	-	-	4	0.040	3003-H14 ALUM	4	3/16 GALV CABLE	1	12 GA	G-90 GALV
15	4	12 GA	G-90 GALV	-	-	-	4	0.040	3003-H14 ALUM	4	3/16 GALV CABLE	1	12 GA	G-90 GALV
16	4	12 GA	G-90 GALV	-	-	-	4	0.040	3003-H14 ALUM	4	3/16 GALV CABLE	1	12 GA	G-90 GALV
18	6	12 GA	G-90 GALV	6	12 GA	G-90 GALV	4	0.040	3003-H14 ALUM	4	3/16 GALV CABLE	1	12 GA	G-90 GALV
20	6	12 GA	G-90 GALV	6	12 GA	G-90 GALV	4	0.040	3003-H14 ALUM	4	3/16 GALV CABLE	1	12 GA	G-90 GALV
22	6	12 GA	G-90 GALV	6	12 GA	G-90 GALV	4	0.040	3003-H14 ALUM	4	3/16 GALV CABLE	1	12 GA	G-90 GALV
24	6	12 GA	G-90 GALV	6	12 GA	G-90 GALV	4	0.040	3003-H14 ALUM	4	3/16 GALV CABLE	1	12 GA	G-90 GALV
27	6	12 GA	G-90 GALV	6	12 GA	G-90 GALV	4	0.040	3003-H14 ALUM	4	3/16 GALV CABLE	1	12 GA	G-90 GALV
30	6	12 GA	G-90 GALV	6	12 GA	G-90 GALV	4	0.040	3003-H14 ALUM	4	3/16 GALV CABLE	1	12 GA	G-90 GALV
33	6	12 GA	G-90 GALV	6	12 GA	G-90 GALV	4	0.040	3003-H14 ALUM	4	3/16 GALV CABLE	1	12 GA	G-90 GALV
36	5	10 GA	G-90 GALV	5	12 GA	G-90 GALV	4	0.040	3003-H14 ALUM	4	3/16 GALV CABLE	1	12 GA	G-90 GALV
42	5	10 GA	G-90 GALV	5	12 GA	G-90 GALV	4	0.040	3003-H14 ALUM	4	3/16 GALV CABLE	1	12 GA	G-90 GALV
48	5	10 GA	G-90 GALV	5	12 GA	G-90 GALV	4	0.040	3003-H14 ALUM	4	3/16 GALV CABLE	1	12 GA	G-90 GALV

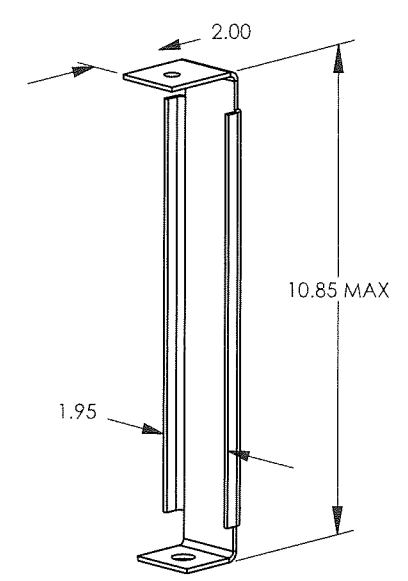
CAD FILE		SSERIESMD		SHEET		6	
REVISIONS							
REV	DESCRIPTION	BY	DATE	ECN			
A	RELEASE	JX	9/8/2020	2020-100			
-	-	-	-	-			
-	-	-	-	-			



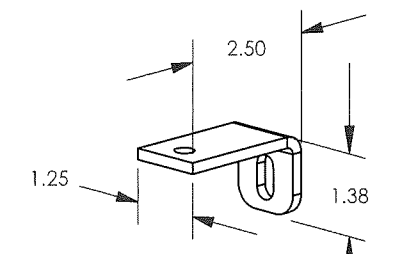
TIE DOWN CABLE



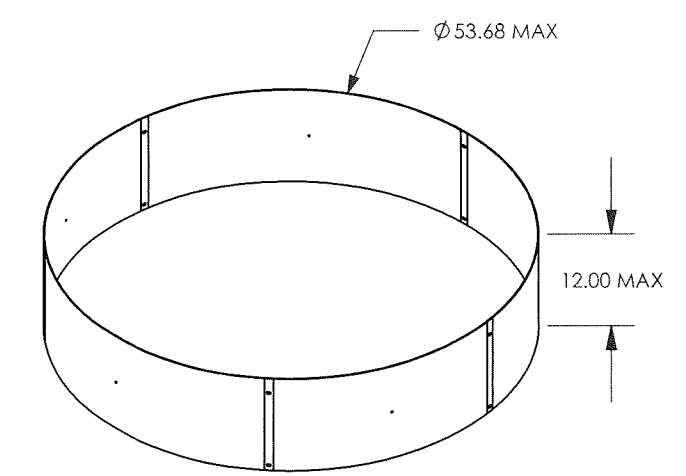
VERTICAL LEG



HORIZONTAL LEG



TIE DOWN BRACKET



REINFORCEMENT BAND ASSEMBLY

PRODUCT APPROVED
 as complying with the Florida
 Building Code
 NOA-No. 20-1006.04
 Approval Date 12/30/2020
 By *[Signature]*
 Miami-Dade Product Control

RICE
 ENGINEERING
 105 School Creek Trail
 Luxemburg, WI 54217
 Phone: (920) 617-1042
 Fax: (920) 617-1100
 www.rice-inc.com
 Florida Firm No: F-01000005061
 Certificate of Authorization: #9090
 Wayne K. Helmila
 Registration No: 59092



SEP 23 2020 &[Date]
 COA: 9090

UNLESS OTHERWISE SPECIFIED DIMENSIONS ARE IN INCHES TOLERANCES ARE			THIRD ANGLE PROJECTION	
FRACTIONS ± 1/16	DECIMALS XX ± .03 XXX ± .005	ANGLES ± 1°		
MATERIAL		ESTIMATED WEIGHT(LB)	PROJECT NO.	S&P USA JACKSONVILLE, FLORIDA SDB MIAMI DADE
APPROVALS		DRAWN BY	DATE	
EST. SHIPPING DIMS (INCH)		CHECKED BY	3/28/2020	SIZE PART NO. B SSERIESMD
SCALE: 1:10 DO NOT SCALE DRAWING			SHEET 6 OF 10	REV. A

SDBD/SDBDe MODEL SIZE	A	B	C	D	E	F	G	H	J	WEIGHT (LBS)
06/06C	18	14-1/8	22-5/16	1-1/2	2	22	17-1/8	4	4	27
07	18	16-13/16	22-5/16	4-1/8	2	22	19-13/16	4	4	30
08	18	20-1/2	22-5/16	4-1/8	2	22	23-1/2	4	4	42
10	18	20-1/2	22-5/16	5-1/8	2	22	23-1/2	4	4	46
12	20	27-5/16	27-5/8	3-7/8	2	24	30-5/16	4	4	105
14/1410/1475	20	27-5/16	27-5/8	3-7/8	2	24	30-5/16	4	4	112
15/1515/1575	24	28	32-7/8	4	2	28	31	4	4	136
16/1615	24	28	32-7/8	4	2	28	31	4	4	136

CAD FILE		SSERIESMD		SH	7
REVISIONS					
REV	DESCRIPTION	BY	DATE	ECN	
A	RELEASE	JX	9/8/2020	2020-100	
--	-----	---	--/--/--	-----	
--	-----	---	--/--/--	-----	

DESIGN PRESSURE LOAD RATING	
SDBD/e SIZE	PRESSURE LOAD (PSF)
06 - 16	± 150

PRODUCT APPROVED
as complying with the Florida
Building Code
NOA-No. 20-1006.04
Approval Date 12/30/2020
By *[Signature]*
Miami-Dade Product Control

RICE
ENGINEERING

105 School Creek Trail
Luxemburg, WI 54217
Phone: (920) 617-1042
Fax: (920) 617-1100
www.rice-inc.com
Florida Firm No: F-01000005061
Certificate of Authorization: #9090
Wayne K. Helmila
Registration No: 59092

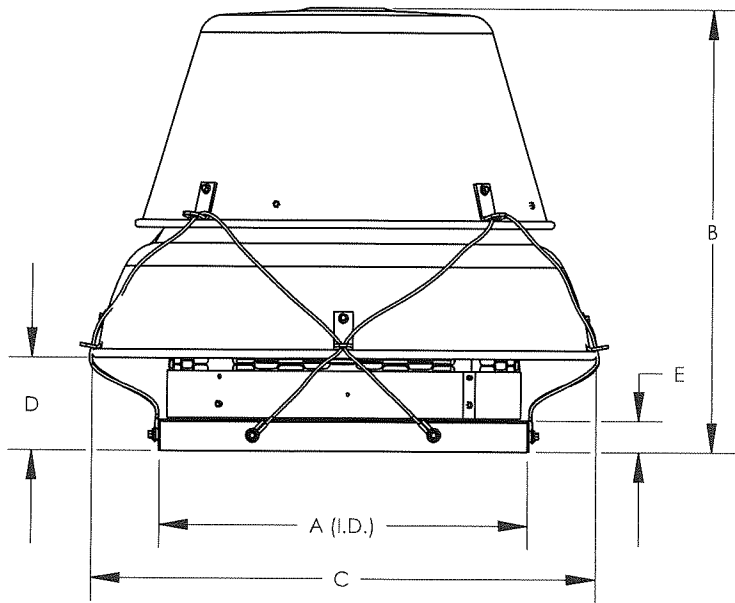


SEP 23 2020

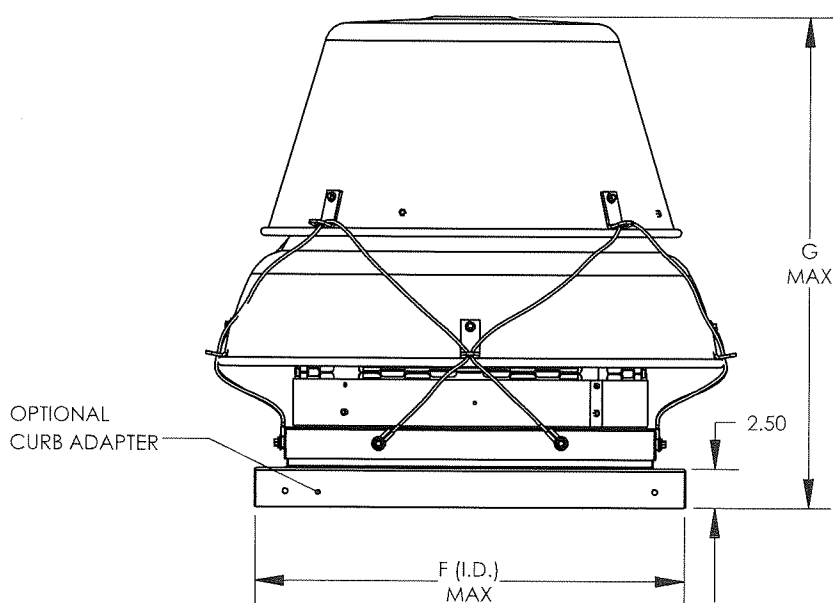
&[Date]
COA: 9090

NOTES:

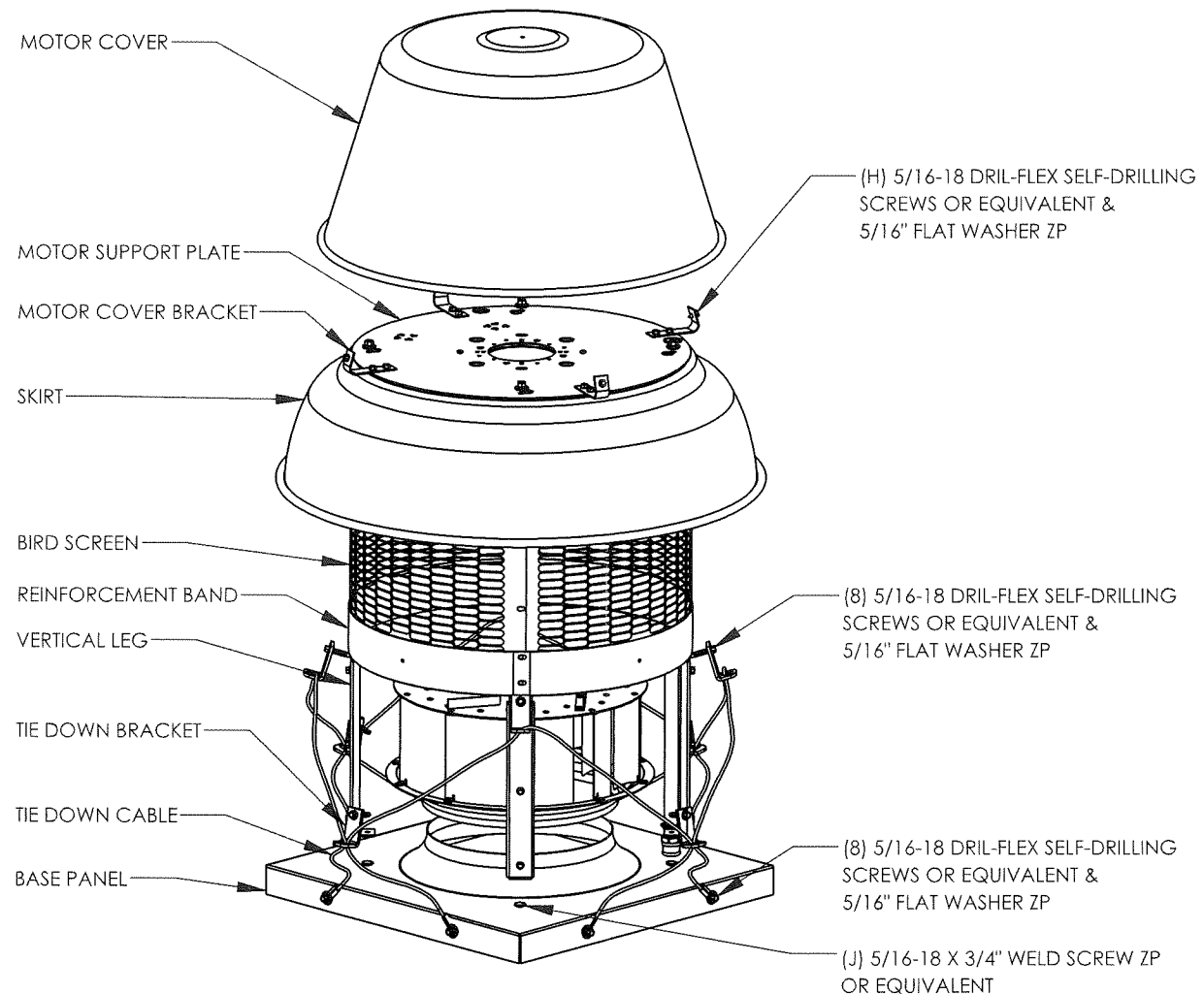
- MODEL SDB(D/e) HAVE BEEN SUCCESSFULLY TESTED IN ACCORDANCE WITH FLORIDA BUILDING CODE/MIAMI DADE TEST PROTOCOL TAS 201 (LARGE IMPACT) AND TAS 202 (STATIC PRESSURE LOADING).
- THIS APPROVAL IS FOR THE STRUCTURAL PERFORMANCE AND IMPACT RESISTANCE ONLY. INTERIOR MECHANISM AND/OR ELECTRICAL CIRCUITRY ARE OUTSIDE THE SCOPE OF THIS APPROVAL.
- THIS FAN/VENT HAS NOT BEEN TESTED FOR WATER PENETRATION ACCORDING TO FLORIDA BUILDING CODE, TAS 100(A) WIND DRIVEN RAIN TEST. IT CANNOT BE INSTALLED WITHIN THE RIDGE AREA FBC 1523.6.5.2.13.
- DESIGN, TESTING, AND INSTALLATION CONFORMS TO FLORIDA BUILDING CODE.
- ROOF STRUCTURE MUST BE DESIGNED TO WITHSTAND THE WEIGHT AND LOADING TRANSMITTED BY THE FANS. FASTENERS SHALL BE AS SPECIFIED AND INSTALLED AS DETAILED.
- FAN CURBS MUST BE ANCHORED TO ROOF FRAMING MEMBERS.



STANDARD FAN



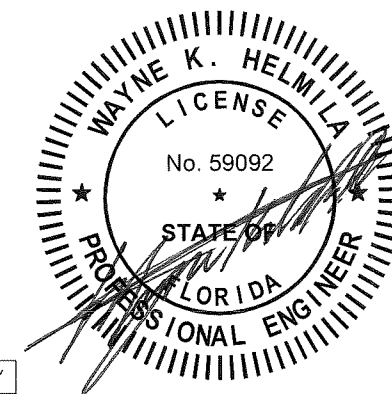
FAN W/ OPTIONAL CURB ADAPTER



UNLESS OTHERWISE SPECIFIED DIMENSIONS ARE IN INCHES TOLERANCES ARE			THIRD ANGLE PROJECTION		S&P USA JACKSONVILLE, FLORIDA SDBD/SDBDe MIAMI DADE
FRACTIONS ± 1/16	DECIMALS XX ± .03 XXX ± .005	ANGLES ± 1°			
MATERIAL	ESTIMATED WEIGHT(LB)	PROJECT NO.	APPROVALS	DATE	SIZE PART NO.
			DRAWN BY	3/26/2020	B SSERIESMD
	EST. SHIPPING DIMS (INCH)	CHECKED BY	JX		REV A
SCALE: 1:12 DO NOT SCALE DRAWING					SHEET 7 OF 10

SDBD/SDBDe MODEL SIZE	BASE PANEL		SKIRT		MOTOR COVER		BIRD SCREEN		SKIRT STIFFENING PLATE	
	THICKNESS	MATERIAL	THICKNESS	MATERIAL	THICKNESS	MATERIAL	THICKNESS	MATERIAL	THICKNESS	MATERIAL
06/06C	0.063	3003-H14 ALUM	0.063	3003-H14 ALUM	0.063	3003-H14 ALUM	0.063	3003-H14 ALUM	16 GA	G-90 GALV
07	0.063	3003-H14 ALUM	0.063	3003-H14 ALUM	0.063	3003-H14 ALUM	0.040	3003-H14 ALUM	16 GA	G-90 GALV
08	0.063	3003-H14 ALUM	0.063	3003-H14 ALUM	0.063	3003-H14 ALUM	0.040	3003-H14 ALUM	16 GA	G-90 GALV
10	0.063	3003-H14 ALUM	0.063	3003-H14 ALUM	0.063	3003-H14 ALUM	0.040	3003-H14 ALUM	16 GA	G-90 GALV
12	0.063	3003-H14 ALUM	0.063	3003-H14 ALUM	0.080	3003-H14 ALUM	0.040	3003-H14 ALUM	14 GA	G-90 GALV
14/1410/1475	0.063	3003-H14 ALUM	0.063	3003-H14 ALUM	0.080	3003-H14 ALUM	0.040	3003-H14 ALUM	14 GA	G-90 GALV
15/1515/1575	0.063	3003-H14 ALUM	0.063	3003-H14 ALUM	0.080	3003-H14 ALUM	0.040	3003-H14 ALUM	14 GA	G-90 GALV
16/1615	0.063	3003-H14 ALUM	0.063	3003-H14 ALUM	0.080	3003-H14 ALUM	0.040	3003-H14 ALUM	14 GA	G-90 GALV

SDBD/SDBDe MODEL SIZE	VERTICAL LEG			MOTOR COVER BRACKET			TIE DOWN BRACKET			TIE DOWN CABLE		REINFORCEMENT BAND ASSEMBLY		
	QTY	THICKNESS	MATERIAL	QTY	THICKNESS	MATERIAL	QTY	THICKNESS	MATERIAL	QTY	MATERIAL	QTY	THICKNESS	MATERIAL
06/06C	4	10 GA	3003-H14 ALUM	4	0.090	3003-H14 ALUM	8	0.040	3003-H14 ALUM	4	3/16 GALV CABLE	1	12 GA	G-90 GALV
07	4	10 GA	3003-H14 ALUM	4	0.090	3003-H14 ALUM	8	0.040	3003-H14 ALUM	4	3/16 GALV CABLE	1	12 GA	G-90 GALV
08	4	10 GA	3003-H14 ALUM	4	0.090	3003-H14 ALUM	8	0.040	3003-H14 ALUM	4	3/16 GALV CABLE	1	12 GA	G-90 GALV
10	4	10 GA	3003-H14 ALUM	4	0.090	3003-H14 ALUM	8	0.040	3003-H14 ALUM	4	3/16 GALV CABLE	1	12 GA	G-90 GALV
12	4	14 GA	3003-H14 ALUM	4	14 GA	G-90 GALV	8	0.040	3003-H14 ALUM	4	3/16 GALV CABLE	1	12 GA	G-90 GALV
14/1410/1475	4	14 GA	3003-H14 ALUM	4	14 GA	G-90 GALV	8	0.040	3003-H14 ALUM	4	3/16 GALV CABLE	1	12 GA	G-90 GALV
15/1515/1575	4	12 GA	3003-H14 ALUM	4	14 GA	G-90 GALV	8	0.040	3003-H14 ALUM	4	3/16 GALV CABLE	1	12 GA	G-90 GALV
16/1615	4	12 GA	3003-H14 ALUM	4	14 GA	G-90 GALV	8	0.040	3003-H14 ALUM	4	3/16 GALV CABLE	1	12 GA	G-90 GALV



&[Date]
COA: 9090

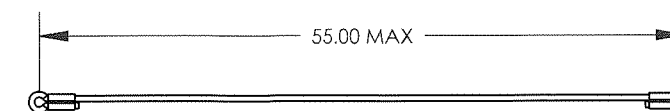
SEP 23 2020

CAD FILE SSERIESMD SH 8				
REVISIONS				
REV	DESCRIPTION	BY	DATE	ECN
A	RELEASE	JX	9/8/2020	2020-100
-	-	-	-	-
-	-	-	-	-

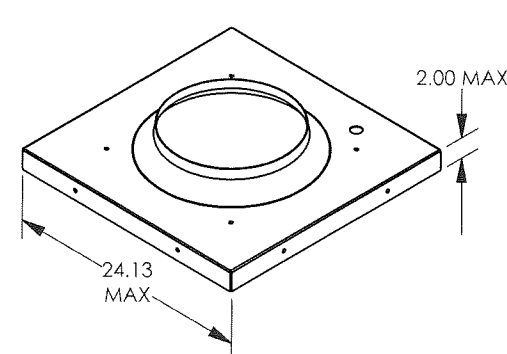
RICE
ENGINEERING

105 School Creek Trail
Luxemburg, WI 54217
Phone: (920) 617-1042
Fax: (920) 617-1100
www.rice-inc.com

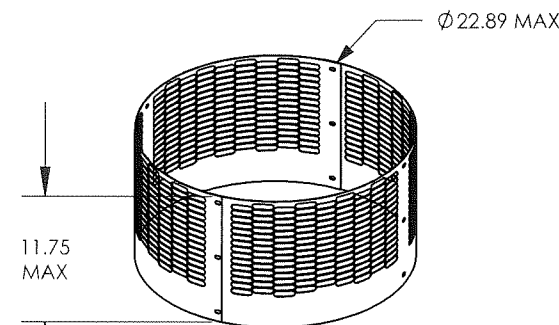
Florida Firm No: F-01000005061
Certificate of Authorization: #9090
Wayne K. Helmila
Registration No: 59092



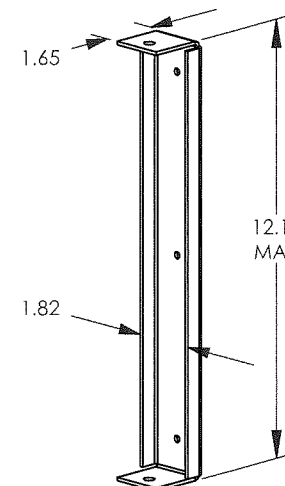
TIE DOWN CABLE



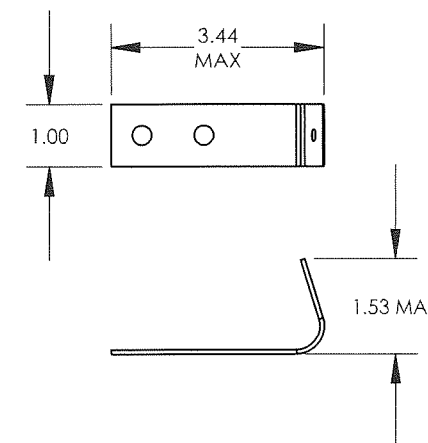
BASE PANEL



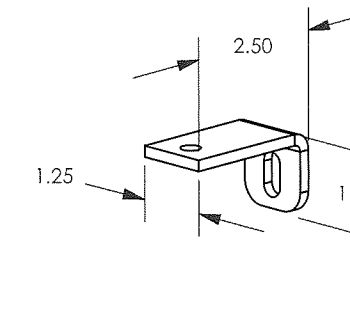
BIRD SCREEN



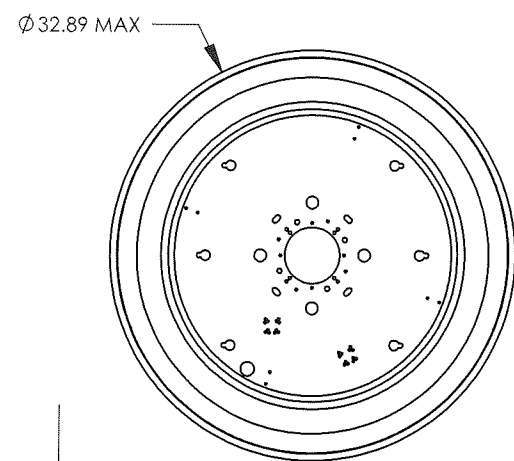
VERTICAL LEG



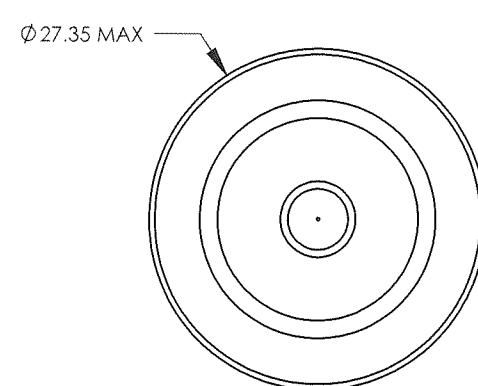
MOTOR COVER BRACKET



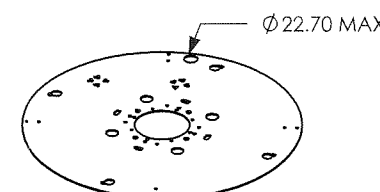
TIE DOWN BRACKET



SKIRT

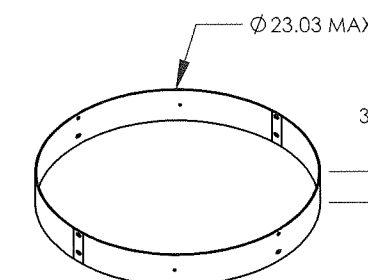


MOTOR COVER



SKIRT STIFFENING PLATE

PRODUCT APPROVED
as complying with the Florida
Building Code
NOA-No. 20-1006.04
Approval Date 12/30/2020
By *[Signature]*
Miami-Dade Product Control

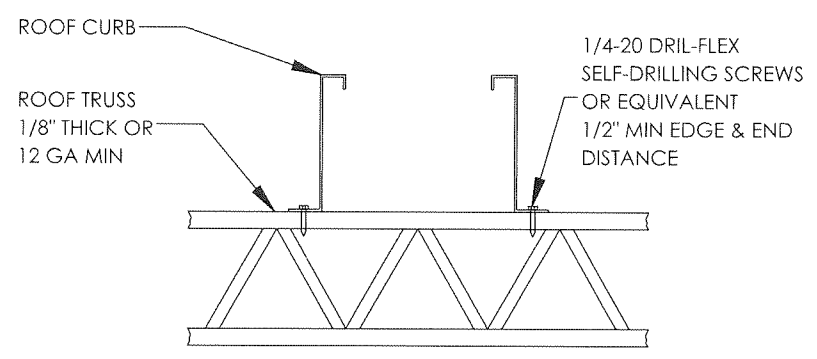


REINFORCEMENT BAND ASSEMBLY

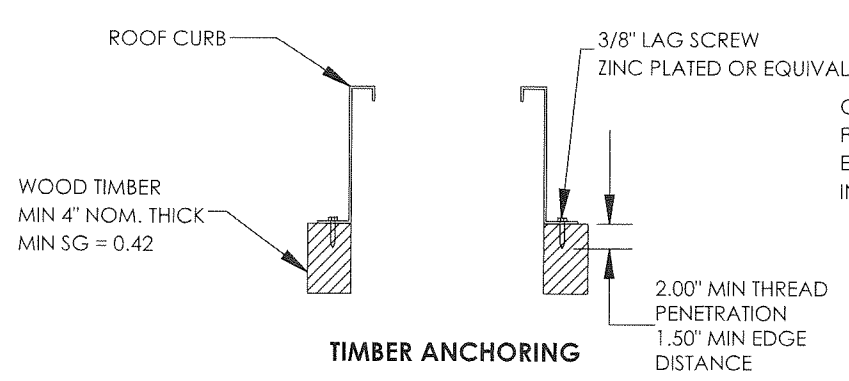
UNLESS OTHERWISE SPECIFIED DIMENSIONS ARE IN INCHES TOLERANCES ARE				THIRD ANGLE PROJECTION		S&P USA	
FRACTIONS	DECIMALS	ANGLES					
± 1/16	XX ± .03 XXX ± .005	± 1°					JACKSONVILLE, FLORIDA
						SDBD/SDBDe MIAMI DADE	
MATERIAL		ESTIMATED WEIGHT(LB)	PROJECT NO.	APPROVALS	DATE	SIZE PART NO.	REV.
					3/26/2020	BISSERIESMD	A
EST. SHIPPING DIMS (INCH)		CHECKED BY			SCALE: 1:15 DO NOT SCALE DRAWING		SHEET 8 OF 10

STXB/ STXBRHUL MODEL SIZE	STXD/STXDe MODEL SIZE	STXDRHUL/ STXDeRHUL MODEL SIZE	FAN TO CURB FASTENER QTY				CURB TO STEEL FASTENER QTY				CURB TO TIMBER FASTENER QTY				CURB TO CONCRETE FASTENER QTY			
			FAN BASE		W/ CURB ADAPTER		NO CURB ADAPTER		W/ CURB ADAPTER		NO CURB ADAPTER		W/ CURB ADAPTER		NO CURB ADAPTER		W/ CURB ADAPTER	
			QTY PER SIDE	TOTAL	QTY PER SIDE	TOTAL	QTY PER SIDE	TOTAL	QTY PER SIDE	TOTAL	QTY PER SIDE	TOTAL	QTY PER SIDE	TOTAL	QTY PER SIDE	TOTAL	QTY PER SIDE	TOTAL
08	06-07-08-0825	-	3	12	3	12	6	24	6	24	4	16	4	16	4	16	4	16
10	10	10	3	12	3	12	6	24	6	24	4	16	4	16	4	16	4	16
12	12	12	3	12	3	12	6	24	6	24	5	20	5	20	4	16	4	16
14	14-1410-1475	14-1410-1475	3	12	3	12	6	24	6	24	5	20	5	20	4	16	4	16
15/15HP	15-1515-1575	15-1515-1575	3	12	3	12	6	24	6	24	5	20	5	20	4	16	4	16
16/16HP	16-1615	16-1615	3	12	3	12	6	24	6	24	5	20	5	20	4	16	4	16
18/18HP	-	-	4	16	4	16	7	28	7	28	5	20	5	20	5	20	5	20
20/20HP	-	-	4	16	5	20	8	32	8	32	6	24	5	20	5	20	5	20
22/22HP	-	-	4	16	5	20	8	32	8	32	6	24	5	20	5	20	5	20
24/24HP	-	-	7	28	7	28	11	44	11	44	8	32	8	32	7	28	7	28
27/27HP	-	-	8	32	8	32	13	52	13	52	10	40	10	40	10	40	10	40
30/30HP	-	-	8	32	8	32	13	52	13	52	10	40	10	40	9	36	9	36
33/33HP	-	-	8	32	8	32	13	52	13	52	10	40	10	40	9	36	9	36
36/36HP	-	-	8	32	8	32	13	52	13	52	9	36	10	40	9	36	9	36
42	-	-	9	36	9	36	14	56	14	56	11	44	11	44	9	36	10	40
48	-	-	10	40	10	40	15	60	15	60	12	48	13	52	10	40	11	44

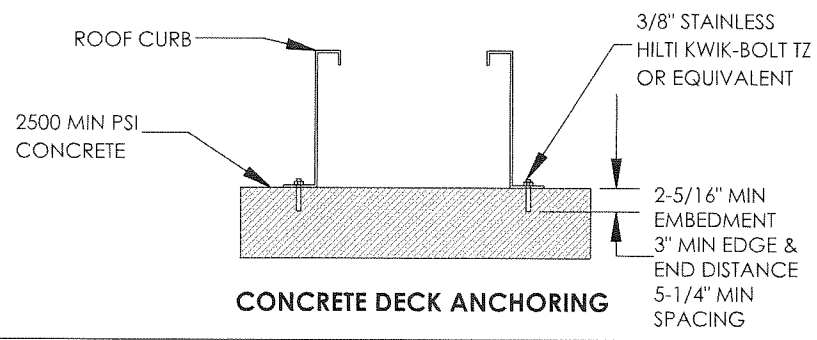
CAD FILE	SSERIESMD			9
REVISIONS				
REV	DESCRIPTION	BY	DATE	ECN
A	RELEASE	JX	9/8/2020	2020-100
--	-----	---	--/--/--	-----
--	-----	---	--/--/--	-----



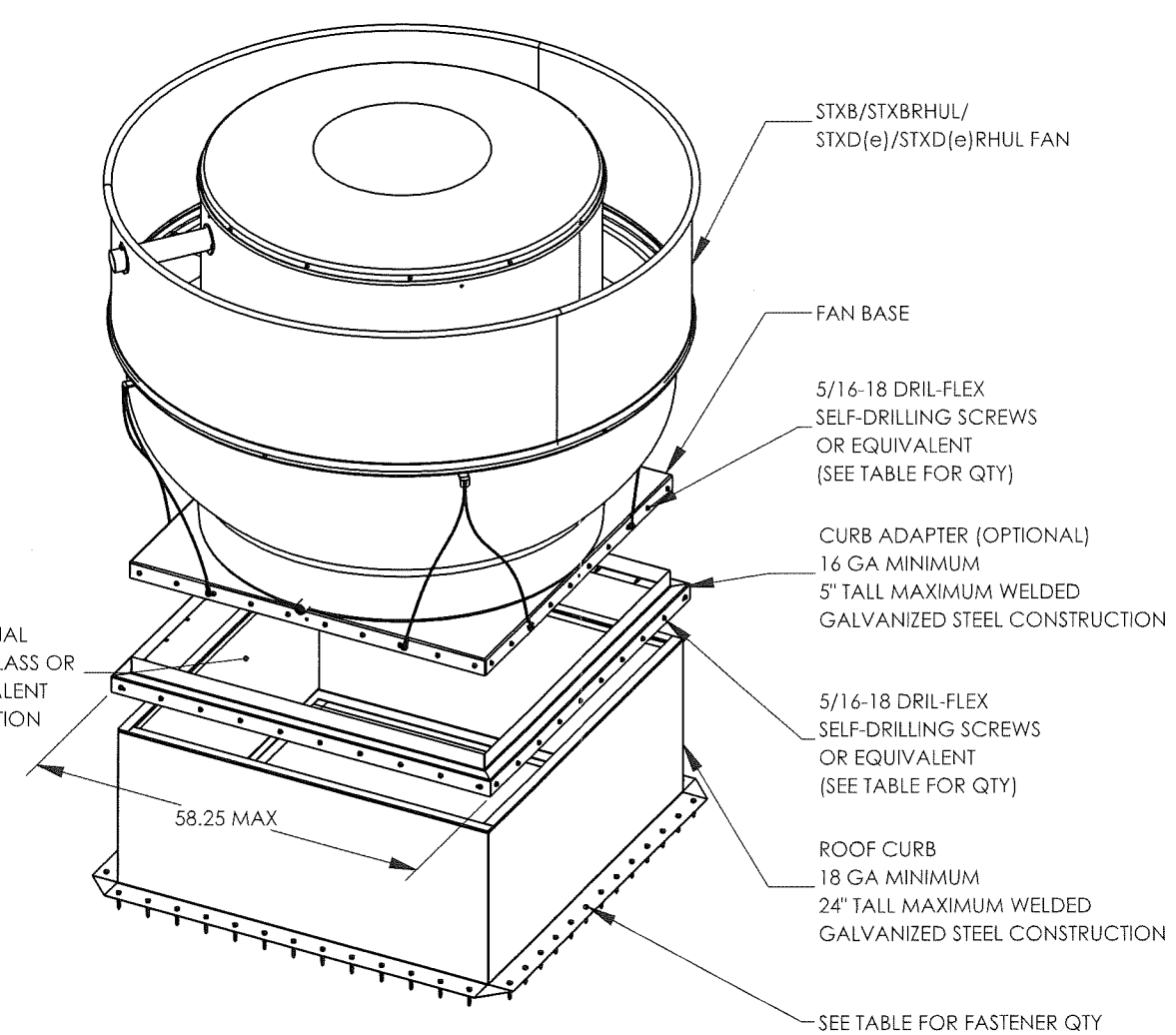
STEEL ANCHORING



TIMBER ANCHORING

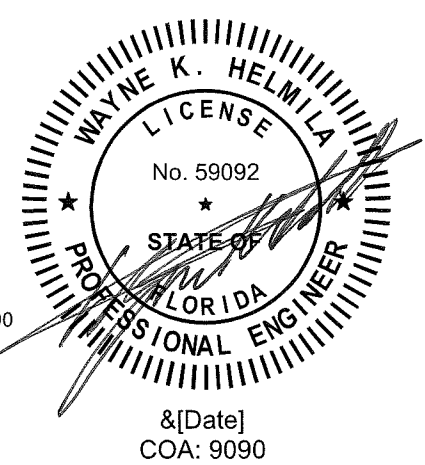


CONCRETE DECK ANCHORING



PRODUCT APPROVED
as complying with the Florida
Building Code
NOA-No. 20-1006.04
Approval Date 12/30/2020
By *[Signature]*
Miami-Dade Product Control

RICE
ENGINEERING
105 School Creek Trail
Luxemburg, WI 54217
Phone: (920) 617-1042
Fax: (920) 617-1100
www.rice-inc.com
Florida Firm No: F-01000005061
Certificate of Authorization: #9090
Wayne K. Helmila
Registration No: 59092



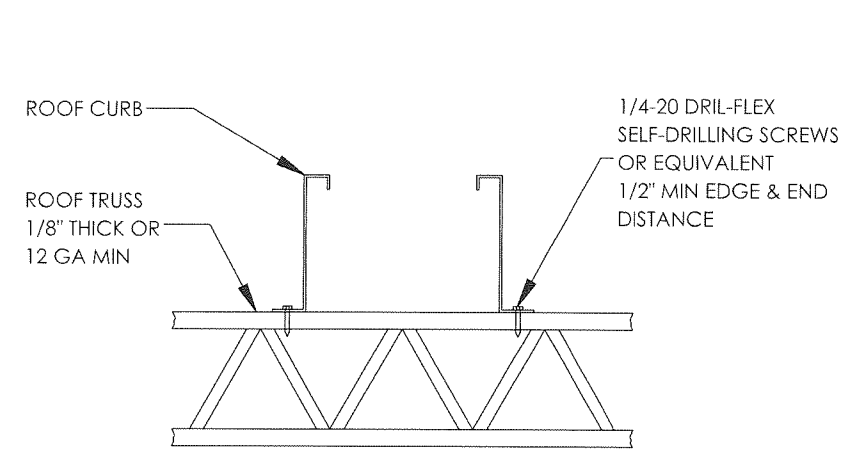
SEP 23 2020

&[Date]
COA: 9090

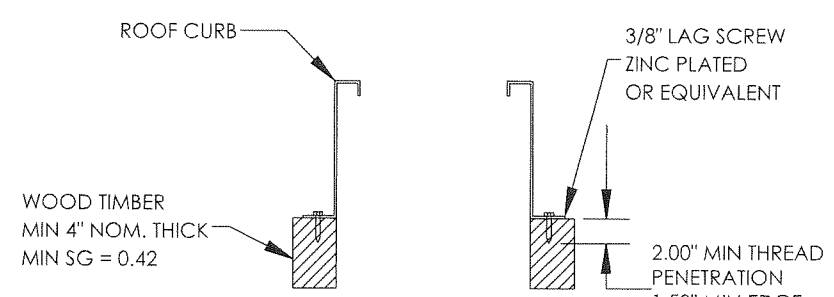
UNLESS OTHERWISE SPECIFIED DIMENSIONS ARE IN INCHES TOLERANCES ARE			THIRD ANGLE PROJECTION	
FRACTIONS ± 1/16	DECIMALS XX ± .03 XXX ± .005	ANGLES ± 1°		
MATERIAL	ESTIMATED WEIGHT(LB)	PROJECT NO.	APPROVALS	DATE
			JX	3/26/2020
EST. SHIPPING DIMS (INCH)	CHECKED BY			
S&P USA			JACKSONVILLE, FLORIDA	
STXB/STXBRHUL/STXD/STXDRHUL ROOF CURB MOUNTING				
SCALE: 1:30 DO NOT SCALE DRAWING			REV A	9 OF 10

SDB MODEL SIZE	SDBD/SDBDe MODEL SIZE	FAN TO CURB FASTENER QTY				CURB TO STEEL FASTENER QTY				CURB TO TIMBER FASTENER QTY				CURB TO CONCRETE FASTENER QTY			
		FAN BASE		W/ CURB ADAPTER		NO CURB ADAPTER		W/ CURB ADAPTER		NO CURB ADAPTER		W/ CURB ADAPTER		NO CURB ADAPTER		W/ CURB ADAPTER	
		QTY PER SIDE	TOTAL	QTY PER SIDE	TOTAL	QTY PER SIDE	TOTAL	QTY PER SIDE	TOTAL	QTY PER SIDE	TOTAL	QTY PER SIDE	TOTAL	QTY PER SIDE	TOTAL	QTY PER SIDE	TOTAL
6	06/06C	3	12	3	12	5	20	5	20	4	16	4	16	3	12	3	12
7	07	3	12	3	12	5	20	5	20	4	16	4	16	3	12	3	12
8	08	3	12	3	12	5	20	5	20	4	16	4	16	3	12	3	12
10	10	3	12	3	12	5	20	5	20	4	16	4	16	3	12	3	12
12	12	3	12	3	12	6	24	6	24	4	16	4	16	4	16	4	16
14	14/1410/1475	3	12	3	12	6	24	6	24	4	16	4	16	4	16	4	16
15	15/1515/1575	3	12	3	12	6	24	6	24	5	20	5	20	4	16	4	16
16	16/1615	3	12	3	12	6	24	6	24	5	20	5	20	4	16	4	16
18	-	3	12	4	16	7	28	7	28	5	20	5	20	4	16	5	20
20	-	4	16	4	16	8	32	8	32	6	24	6	24	5	20	5	20
22	-	4	16	4	16	8	32	8	32	6	24	6	24	5	20	5	20
24	-	6	24	6	24	10	40	10	40	7	28	8	32	6	24	7	28
27	-	6	24	6	24	10	40	10	40	8	32	8	32	7	28	7	28
30	-	6	24	6	24	10	40	11	44	8	32	8	32	7	28	7	28
33	-	6	24	6	24	10	40	11	44	8	32	8	32	7	28	7	28
36	-	7	28	7	28	11	44	11	44	9	36	9	36	8	32	8	32
42	-	7	28	8	32	12	48	12	48	10	40	10	40	8	32	9	36
48	-	9	36	9	36	14	56	14	56	11	44	12	48	10	40	10	40

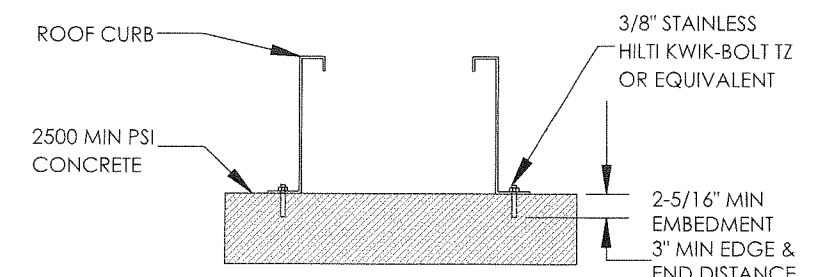
CAD FILE	SSERIESMD			SH#	10
REVISIONS					
REV	DESCRIPTION	BY	DATE	ECN	
A	RELEASE	JX	9/8/2020	2020-100	
-	-----	---	--/--	-----	
-	-----	---	--/--	-----	



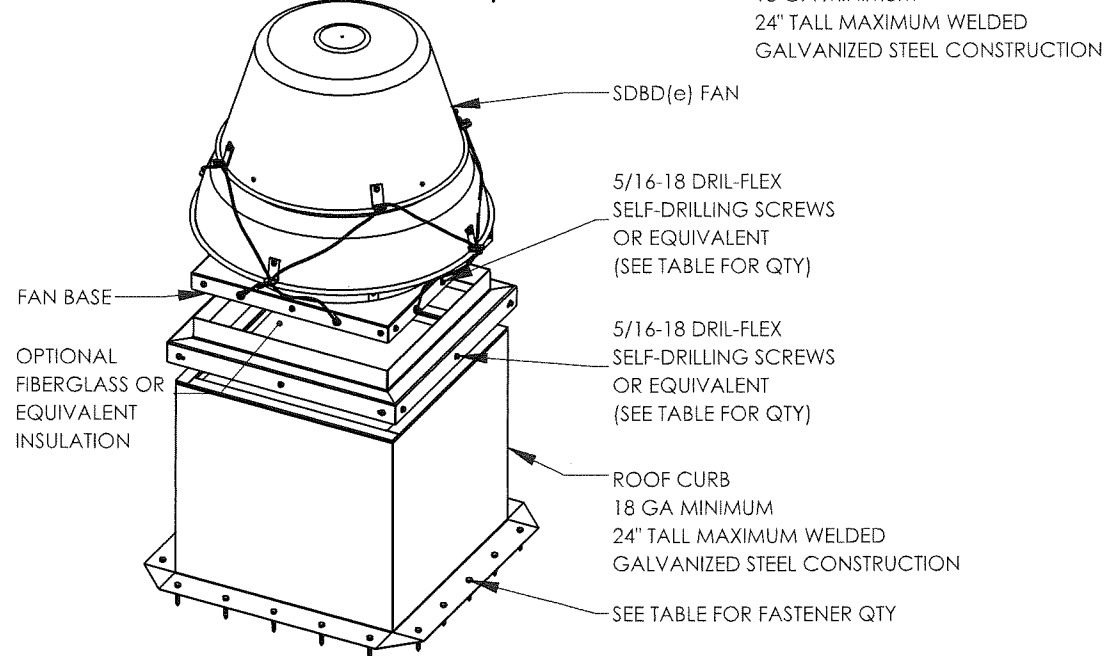
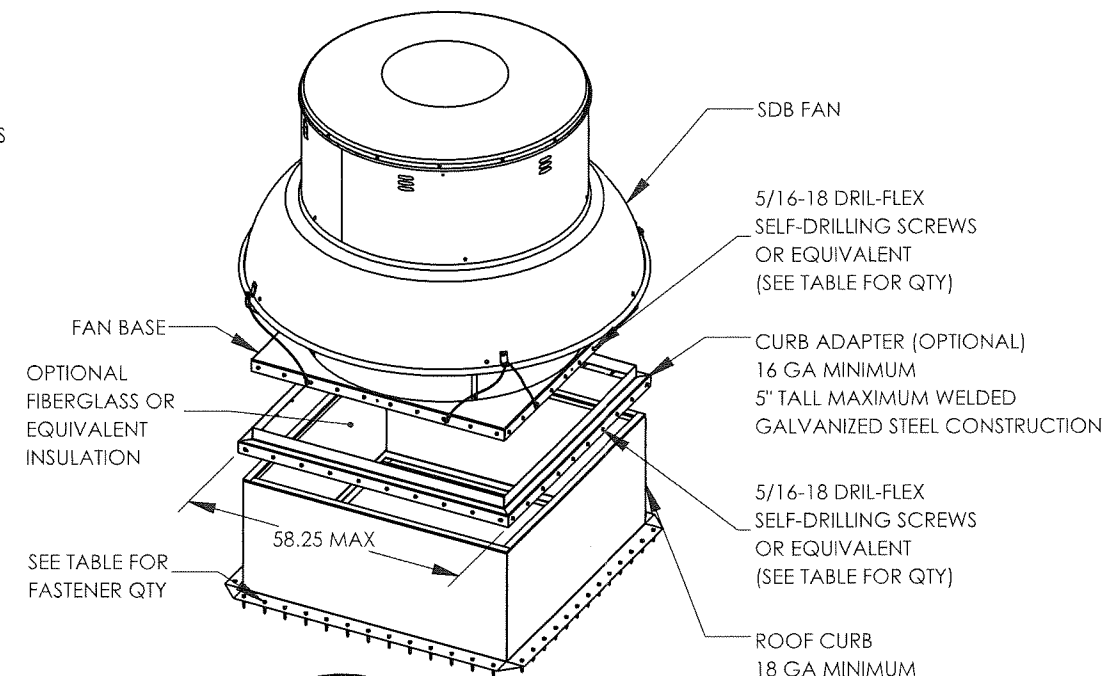
STEEL ANCHORING



TIMBER ANCHORING

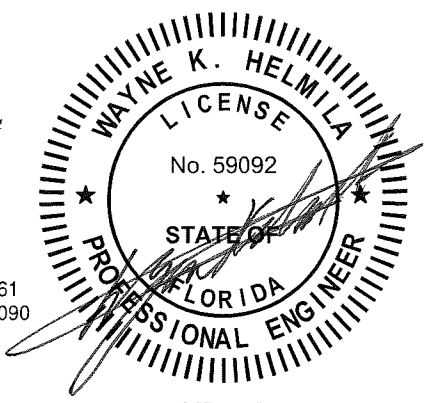


CONCRETE DECK ANCHORING



PRODUCT APPROVED
as complying with the Florida Building Code
NOA-No. 20-1006.04
Approval Date 12/30/2020
By *[Signature]*
Miami-Dade Product Control

RICE ENGINEERING
105 School Creek Trail
Luxemburg, WI 54217
Phone: (920) 617-1042
Fax: (920) 617-1100
www.rice-inc.com
Florida Firm No: F-01000005061
Certificate of Authorization: #9090
Wayne K. Helmila
Registration No: 59092



SEP 23 2020

&[Date]
COA: 9090

UNLESS OTHERWISE SPECIFIED DIMENSIONS ARE IN INCHES TOLERANCES ARE		THIRD ANGLE PROJECTION			S&P USA JACKSONVILLE, FLORIDA SDB/SDBD/SDBDe ROOF CURB MOUNTING
FRACTIONS ± 1/16	DECIMALS XX ± .03 XXX ± .005	ANGLES ± 1°			
MATERIAL	ESTIMATED WEIGHT(LB)	PROJECT NO.	APPROVALS	DATE	SSERIESMD SCALE: 1:30 DO NOT SCALE DRAWING
			DRAWN BY JX	3/26/2020	
			CHECKED BY		REV. A